

BOOMRACING 



LAND ROVER SERIES II



Station Wagon

1/10 HARD BODY KIT 280MM



WWW.BOOMRACING.COM

PRODUCT CODE: BRX02610 INSTRUCTION MANUAL V1.0

OFFICIAL LICENSED PRODUCT

Congratulations!

Congrats on your new Land Rover Series II 88 station wagon body kit.

Since the release of the Land Rover Series III pickups, our fans have been asking for the Series II. Our original plan was to release the Series III station wagon, but after listening to what our customers want, we decided to release this Series II station wagon instead.

In this box, you will find extra pieces that will allow you to customize your own Series II. You can choose to build either the station wagon or the convertible. The instruction manual is meticulously done to guide you through different building options.

The Series II features a unique front grille with the headlights mounted on the radiator panel instead of the wing panels. There are two types of headlights; chrome bezel and panel bezel. Chrome bezel headlights are usually found in older Series II trucks. We have recreated a new Series II interior dash that is period-correct. Additionally, this Series II comes with rubber round side mirrors and retro Landy Classic 1.9" tires in super soft Gekko compound.

The station wagon roof top has alpine windows, and the tropical roof is included. The roof top has four air vents that can be enclosed entirely or built with air vents. Both rear-opening door for the station wagon and tailgate for the convertible are included.

To make the Series II ultra-scale, we constructed the body using a similar design concept to how they were built in the factories back in the day - using multiple body panels to build the complete body.

This body is designed to fit our BRX02 88 chassis, which includes all the necessary parts to complete the quick-release system.

We hope that you enjoy this body as much as we do. Now, experience the ageless charm of this iconic vehicle and take a step back in time to enjoy a simpler and classier era.

Jason Patrick Tsang
Boom Racing Founder and Director





Apply Double Sided Tape



Pay Attention



Apply Glue

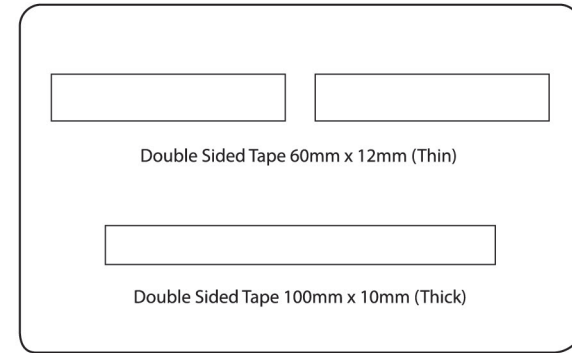
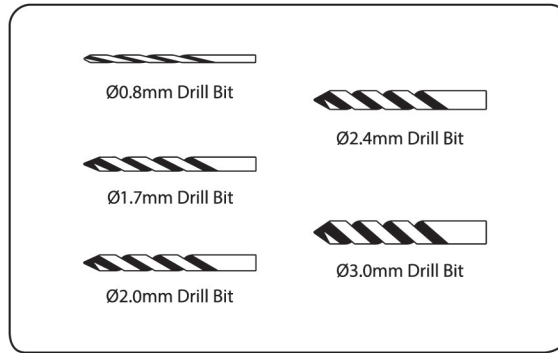
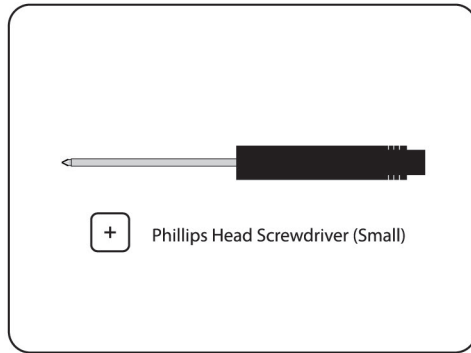


Drill Hole

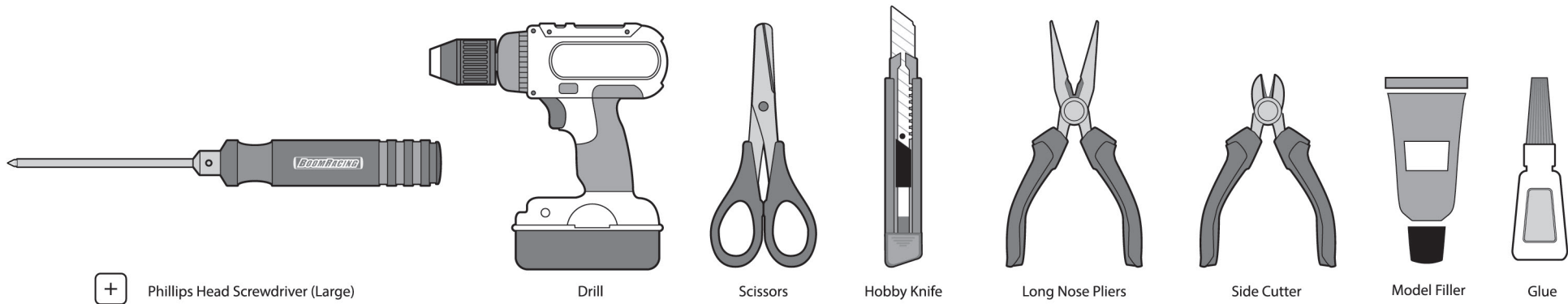


Apply Model Filler

Tools Included








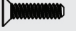


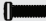





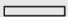


Tools Required

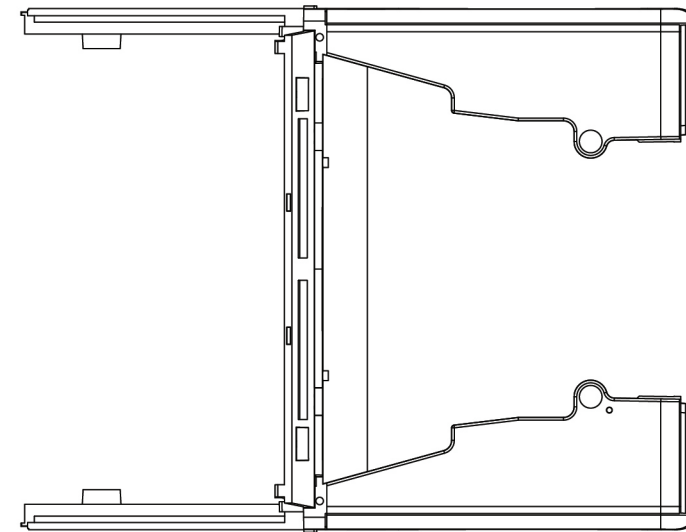




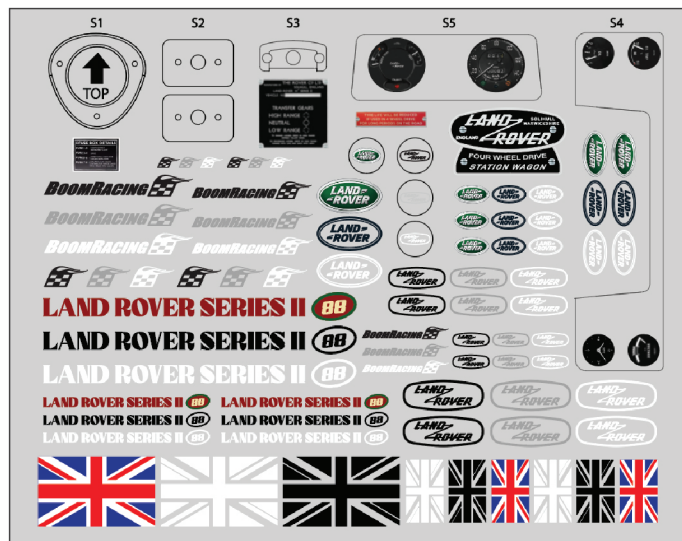
All screw indicators in this manual are 1:1 size (extra screws included).

- | | |
|--|---|
|  M1x4 Phillips Head Self-Tapping Screw (36)
ST1X4 |  M2x8 Phillips Head Self-Tapping Screw (6)
ST2x8 |
|  M1x6 Phillips Head Self-Tapping Screw (4)
ST1X6 |  M2.6x6 Phillips Head Self-Tapping Screw (2)
ST2.6x6 |
|  M1.2x4 Phillips Head Self-Tapping Screw (16)
ST1.2x4 |  M2.6x10 Phillips Head Self-Tapping Screw (2)
ST2.6x10 |
|  M1.2x8 Phillips Head Self-Tapping Screw (2)
ST1.2x8 |  M2x8 Counter Sunk Phillips Head Self-Tapping Screw (12)
STCS2x8 |
|  M1.5x4 Phillips Head Self-Tapping Screw (4)
ST1.5x4 |  M3x6 Counter Sunk Phillips Head Self-Tapping Screw (2)
STCS3x6 |
|  M1.5x5 Phillips Head Self-Tapping Screw (14)
ST1.5x5 |  M2x8 Counter Sunk Phillips Head Screw (4)
M2x8CSS |
|  M2x5 Phillips Head Self-Tapping Screw (10)
ST2x5 |  D3x4 Spring Plunger (6) |
|  M2x6 Phillips Head Self-Tapping Screw (18)
ST2x6 |  Magnet (2)
OST8x3 |
| |  Pin (4) |

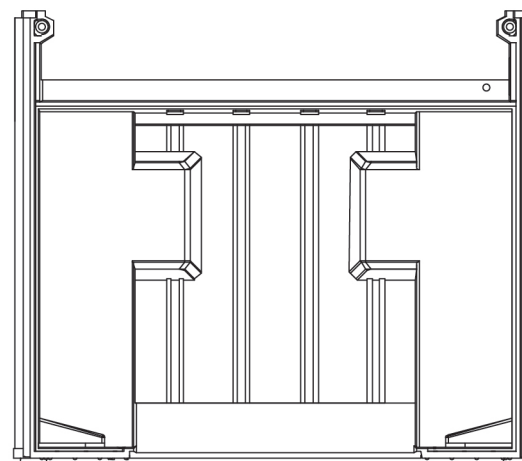
Screw Set for Series II 88 Body
#BRX02365



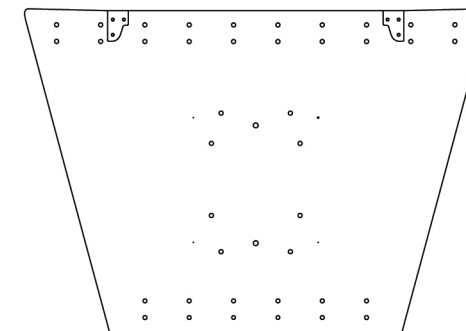
Front Body
#BRX02301



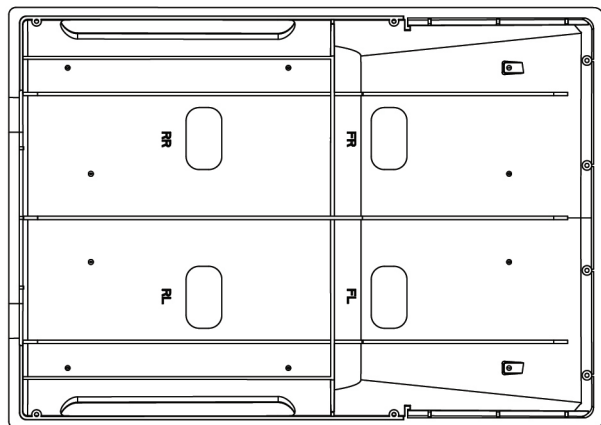
Decal Sticker Series II Station Wagon
#BRX02370



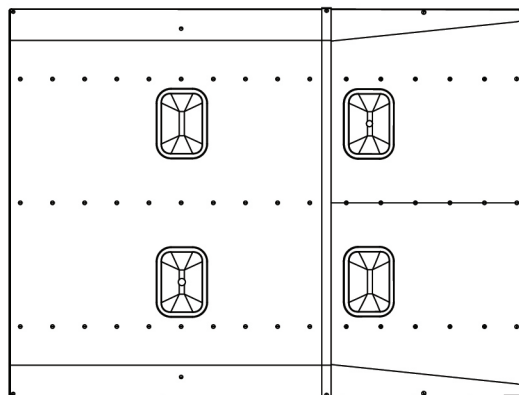
88 Rear Bed
#BRX02331



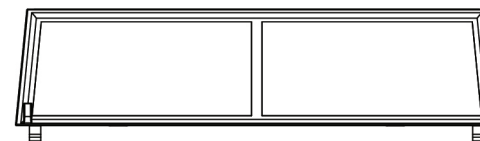
Bonnet
#BRX02349



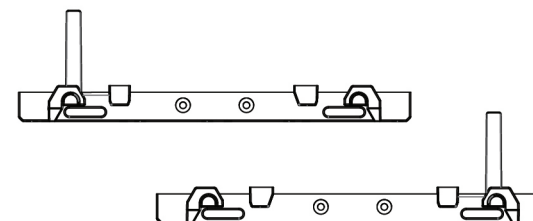
88 Roof Top
#BRX02343



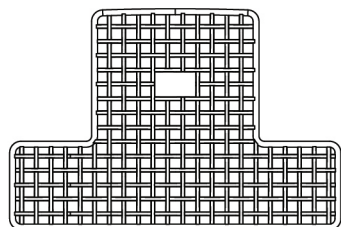
88 Tropical Roof
#BRX02345



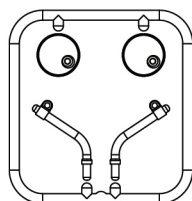
Windscreen Frame
#BRX02313



Aluminum Body Brace (Left & Right)
#BRX020112



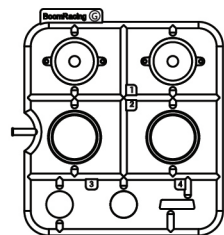
Series II Aluminum Wire Mesh Grille
#BRX02346



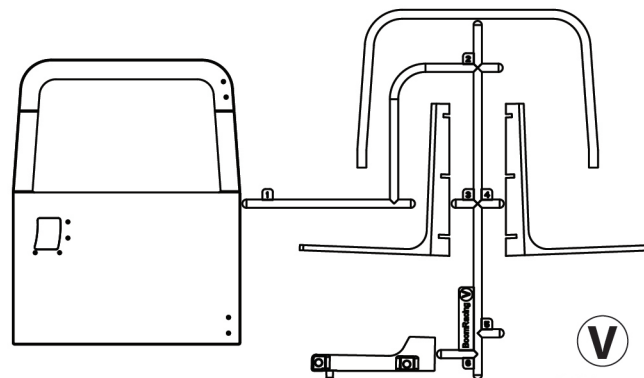
Rubber Side Mirrors
#BRX02347



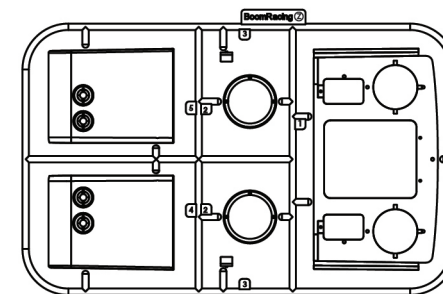
Land Rover Tub Badge Solihull
(Stainless Steel)
#BRX02361



G
#BRX02348

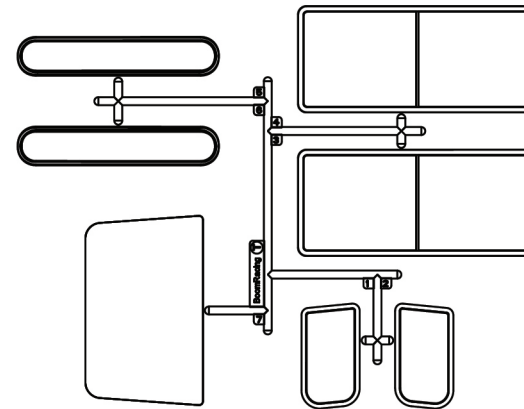
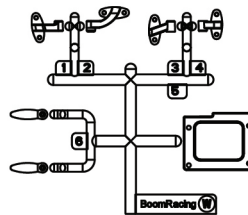
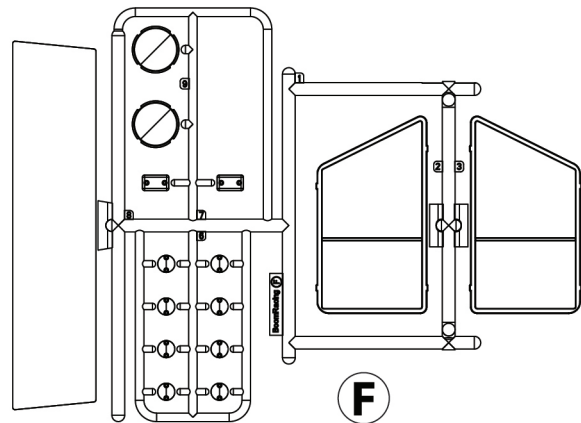
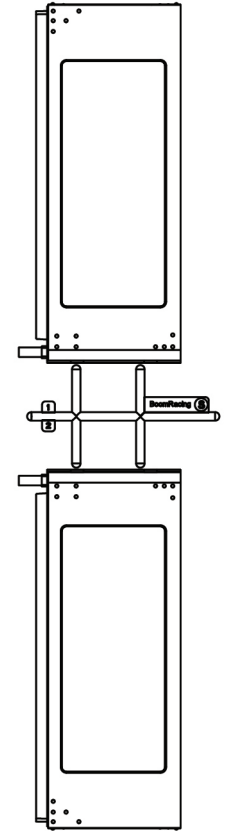
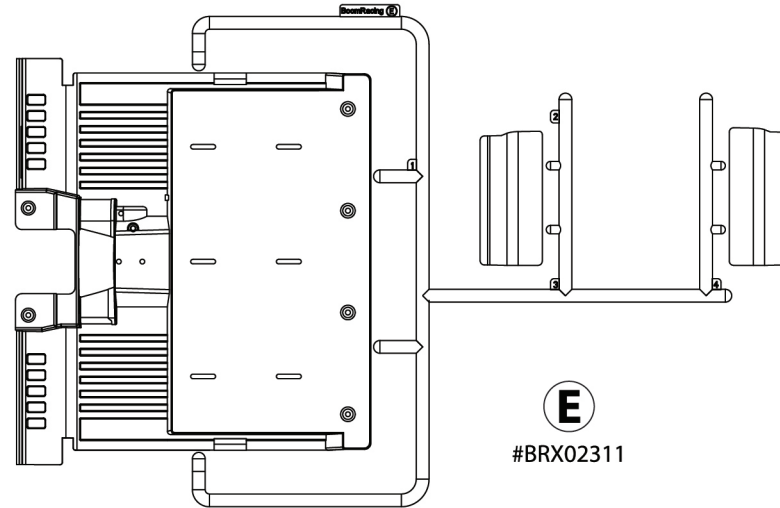
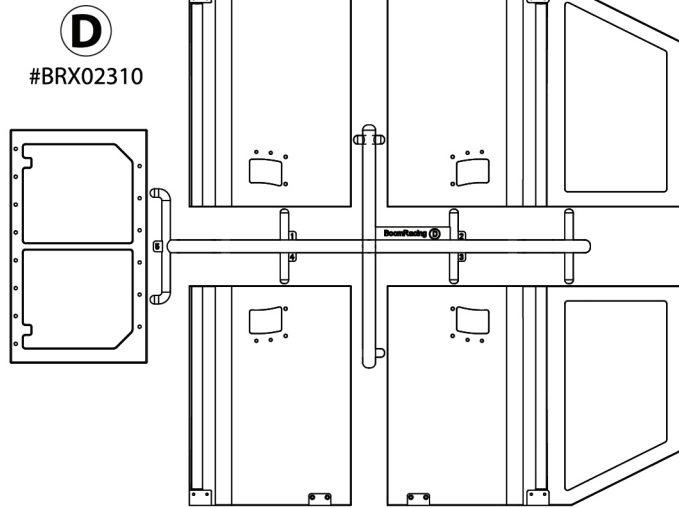


V
#BRX02350



Z
#BRX02351

Note: some parts are not attached to the part trees for packaging reasons.



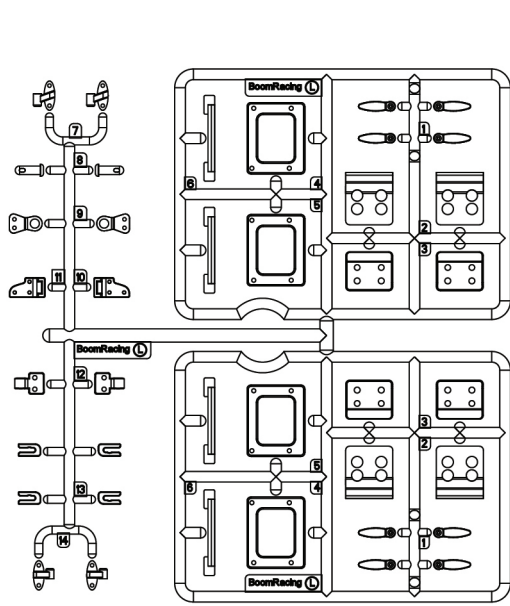
F
#BRX02309

W
#BRX02352

T
#BRX02355

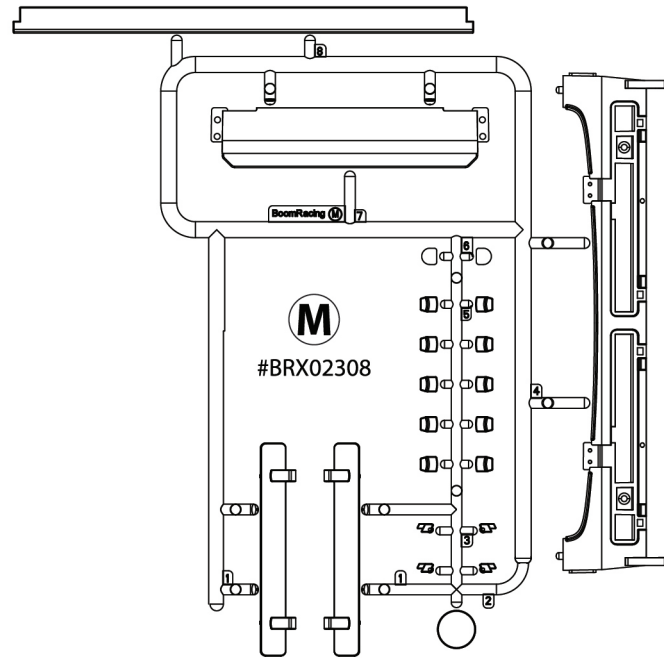
S
#BRX02353

Note: some parts are not attached to the part trees for packaging reasons.



L

#BRX02316

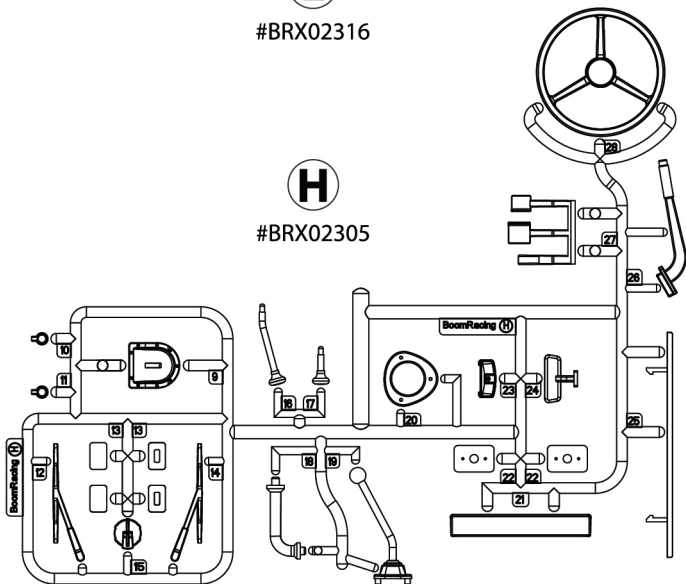
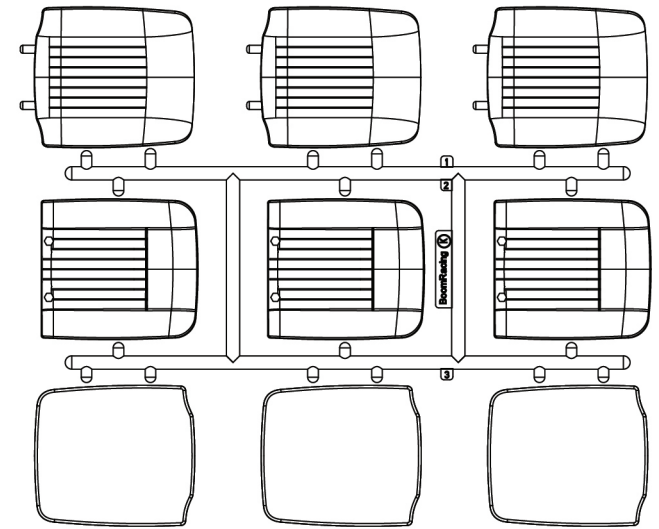


M

#BRX02308

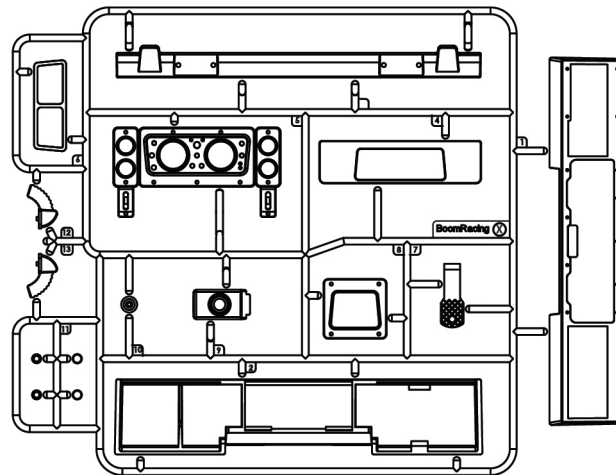
K

#BRX02304



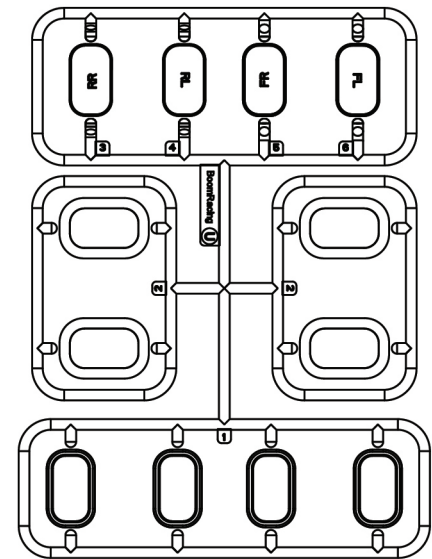
H

#BRX02305



X

#BRX02360



U

#BRX02359

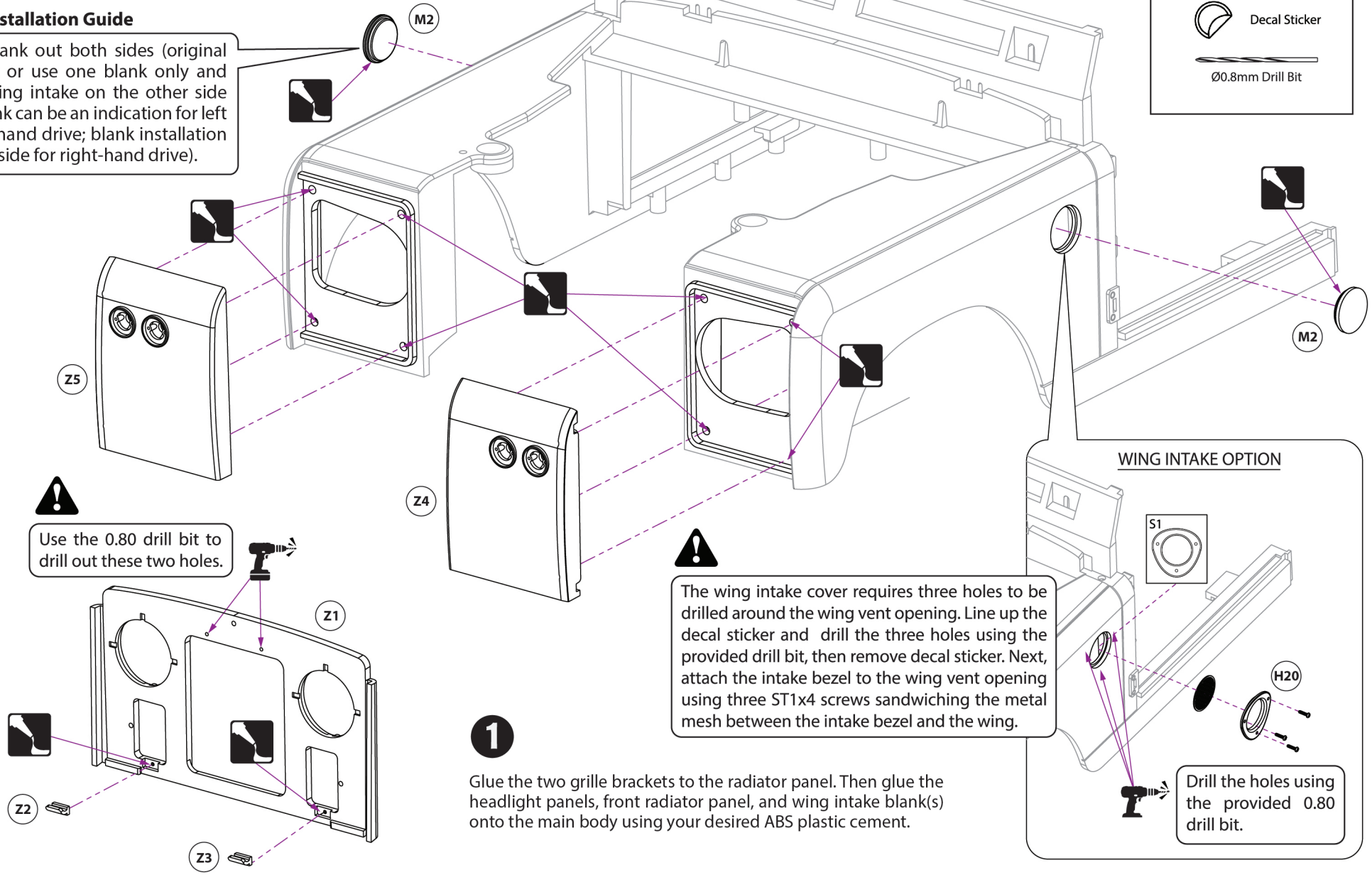
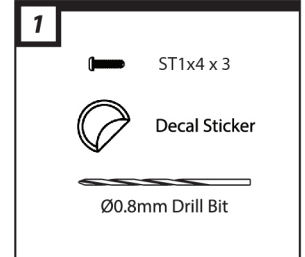


Before you begin, we recommend:

- ① Read through the entire manual prior to starting assembly.
- ② Complete step 1 before painting begins.

Blank Installation Guide

Either blank out both sides (original Series II) or use one blank only and install wing intake on the other side (this blank can be an indication for left or right-hand drive; blank installation on right side for right-hand drive).



Use the 0.80 drill bit to drill out these two holes.

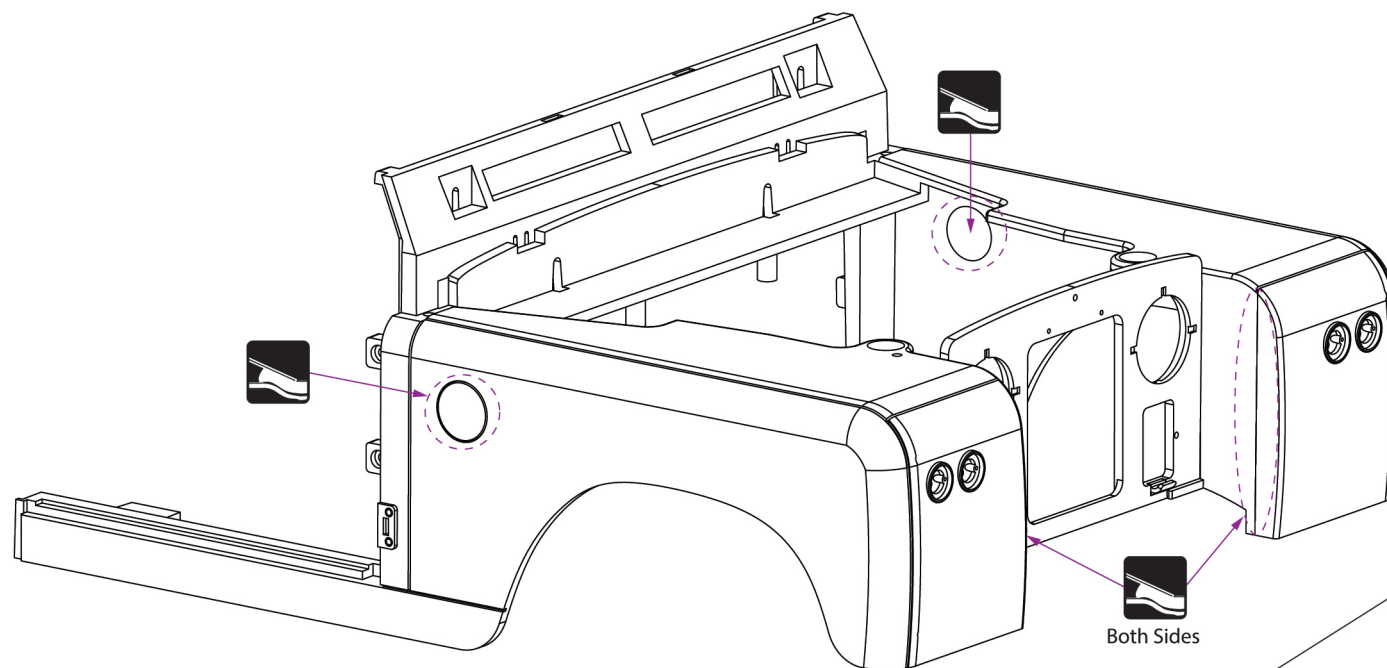


The wing intake cover requires three holes to be drilled around the wing vent opening. Line up the decal sticker and drill the three holes using the provided drill bit, then remove decal sticker. Next, attach the intake bezel to the wing vent opening using three ST1x4 screws sandwiching the metal mesh between the intake bezel and the wing.

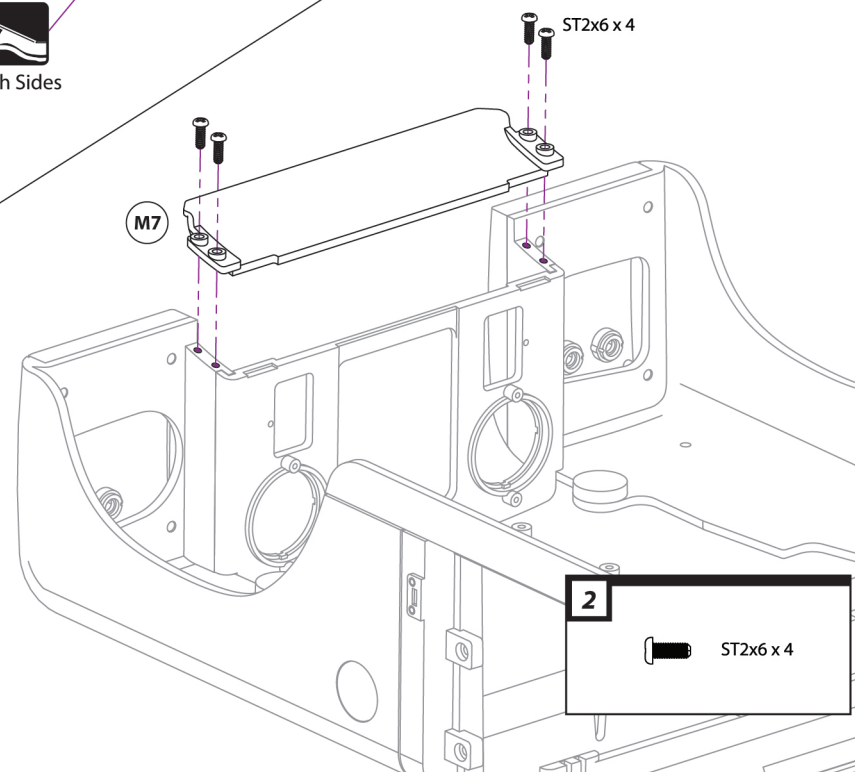
1

Glue the two grille brackets to the radiator panel. Then glue the headlight panels, front radiator panel, and wing intake blank(s) onto the main body using your desired ABS plastic cement.

Drill the holes using the provided 0.80 drill bit.



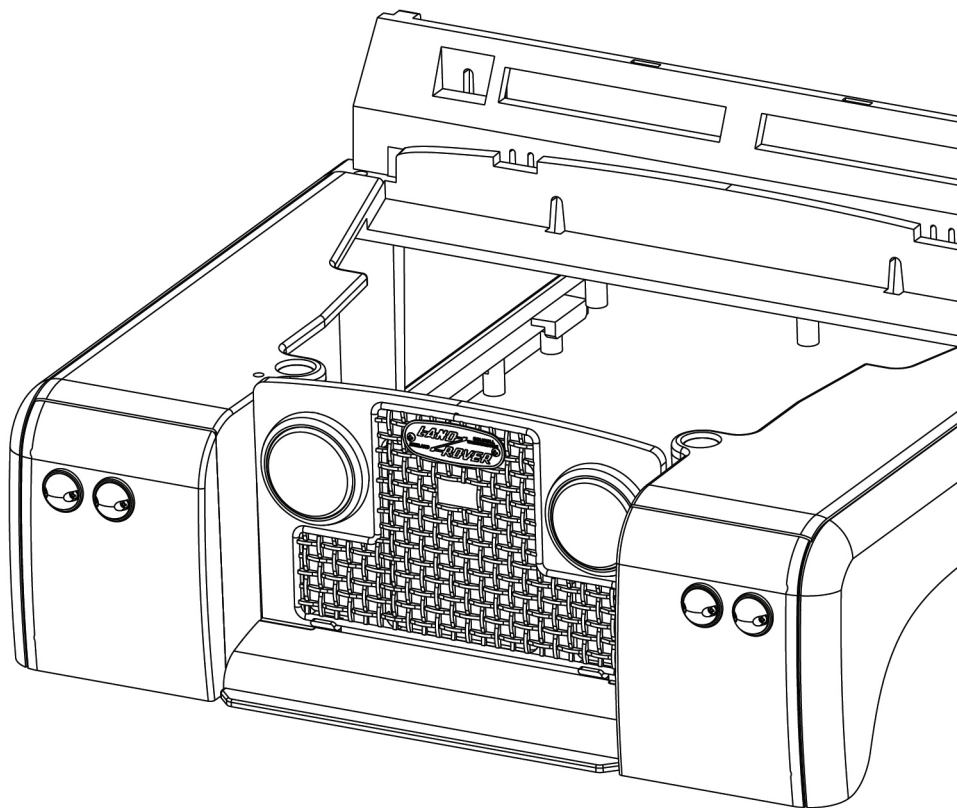
For the best results, we recommend using model filler (not included) to fill in these areas once they are glued together. If model filler is used, sand everything smooth before priming and painting.



2 Attach the front apron panel using four ST2x6 screws.

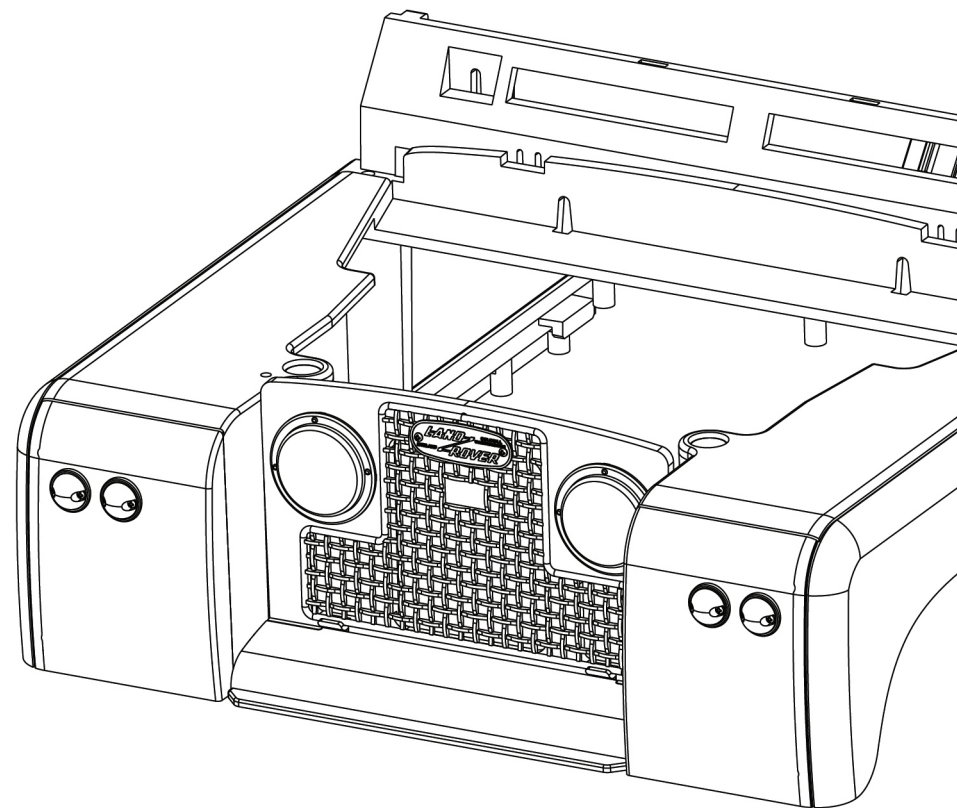


ARE YOU BUILDING CHROME LIGHT BEZEL OR PANEL LIGHT BEZEL?



CHROME LIGHT BEZEL

P. 10

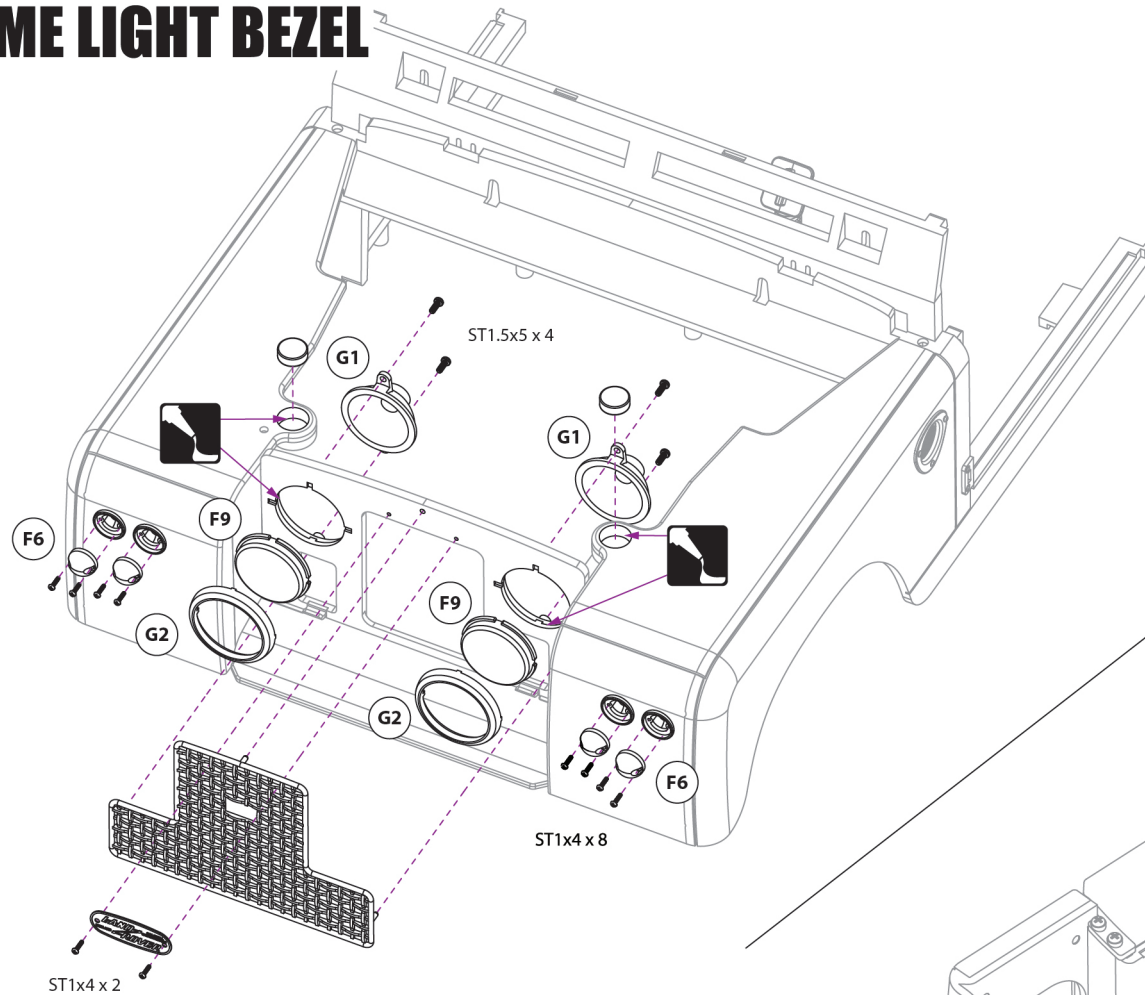


PANEL LIGHT BEZEL

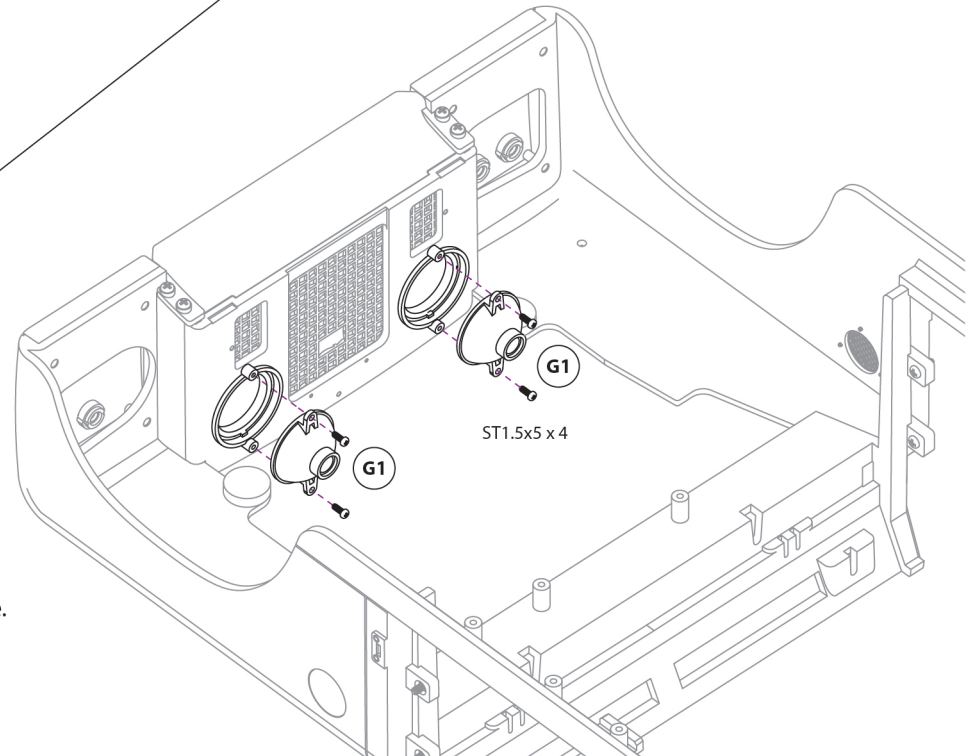
P. 11

Continue to next page if chrome light bezel. Skip to page 11 if panel light bezel.

CHROME LIGHT BEZEL



3	ST1x4 x 10
	ST1.5x5 x 4
	Magnet OST8x3 x 2



3

To attach the wire mesh grille, rest the bottom onto the two grille brackets and then press the three pins into the holes. Next, attach the Land Rover tub badge with two ST1x4 screws.

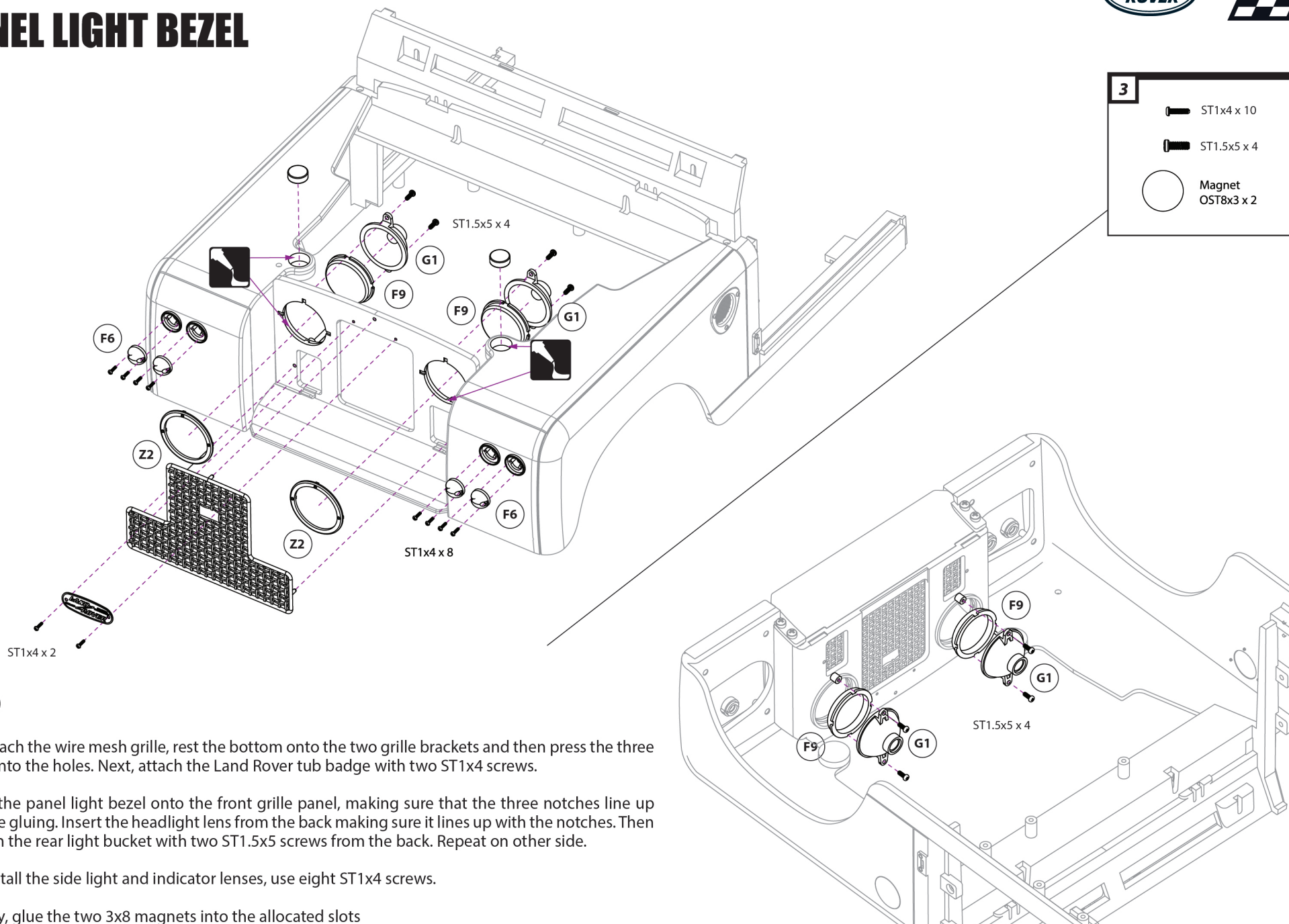
Insert the clear headlight lens into the chrome light bezel, ensuring that it lines up with the notches. Glue the headlight lens onto the front grille panel, making sure that the three notches line up before gluing. Then attach the rear light bucket with two ST1.5x5 screws from the back. Repeat on other side.

To install the side light and indicator lenses, use eight ST1x4 screws.

Finally, glue the two 3x8 magnets into the allocated slots.

PANEL LIGHT BEZEL

3	ST1x4 x 10
	ST1.5x5 x 4
	Magnet OST8x3 x 2



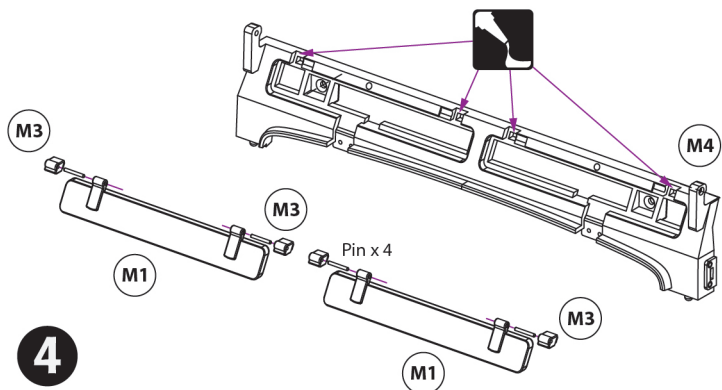
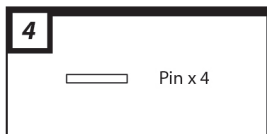
3

To attach the wire mesh grille, rest the bottom onto the two grille brackets and then press the three pins into the holes. Next, attach the Land Rover tub badge with two ST1x4 screws.

Glue the panel light bezel onto the front grille panel, making sure that the three notches line up before gluing. Insert the headlight lens from the back making sure it lines up with the notches. Then attach the rear light bucket with two ST1.5x5 screws from the back. Repeat on other side.

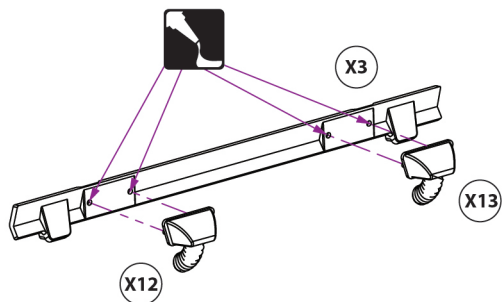
To install the side light and indicator lenses, use eight ST1x4 screws.

Finally, glue the two 3x8 magnets into the allocated slots



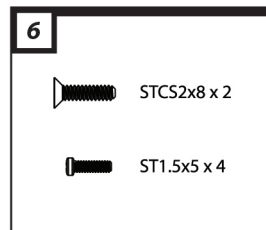
4

Insert pins into the vent flap and vent hinge before gluing onto the vent panel.



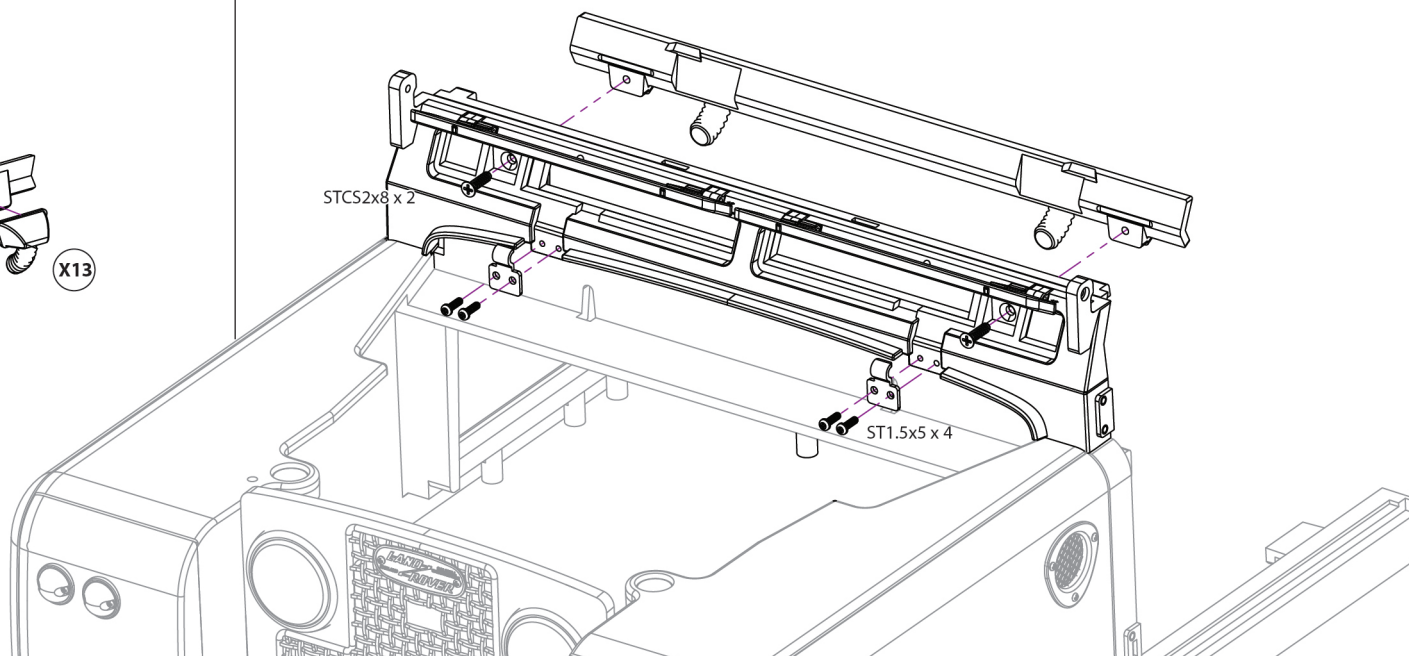
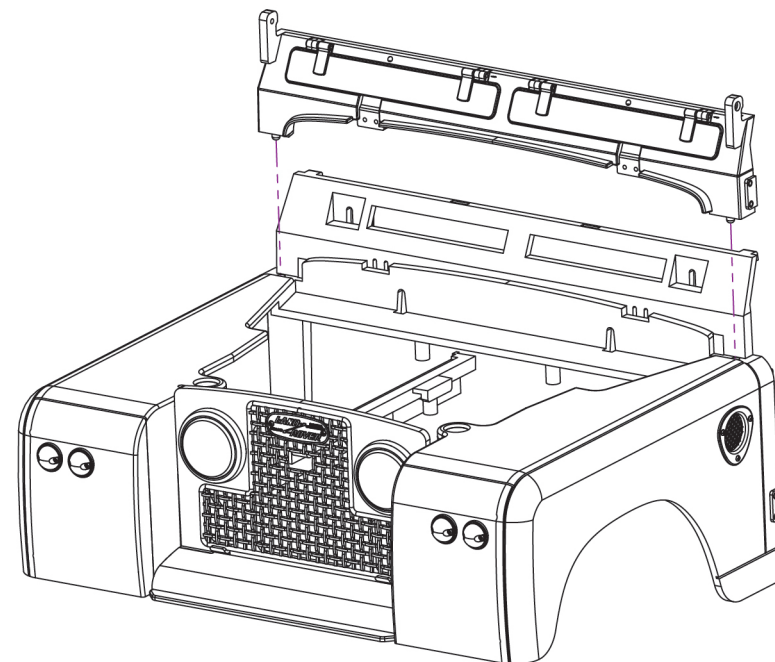
5

Glue the two intakes to the upper dash panel.



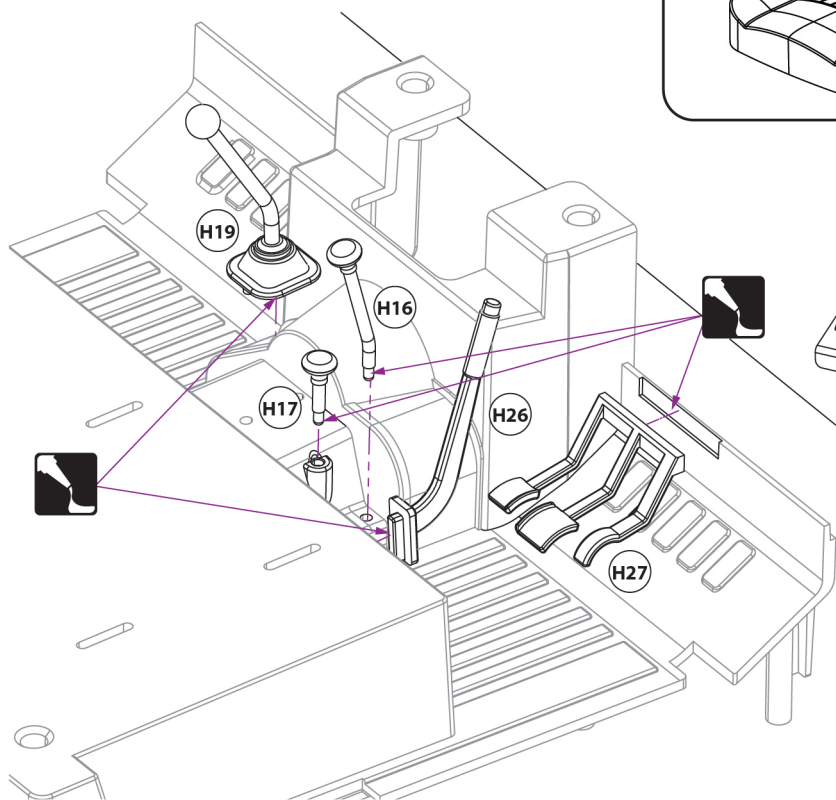
6

Attach the vent panel to the front main body. Attach the upper dash panel with two STCS2x8 screws and the bonnet hinge with four ST1.5x5 screws.



7

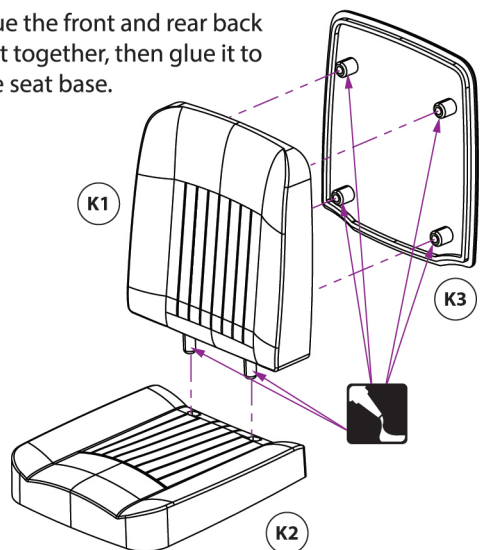
Attach the gear stick, hi/low stick, 2WD/4WD stick, handbrake and foot pedals with a touch of glue to the interior floor panel.



8

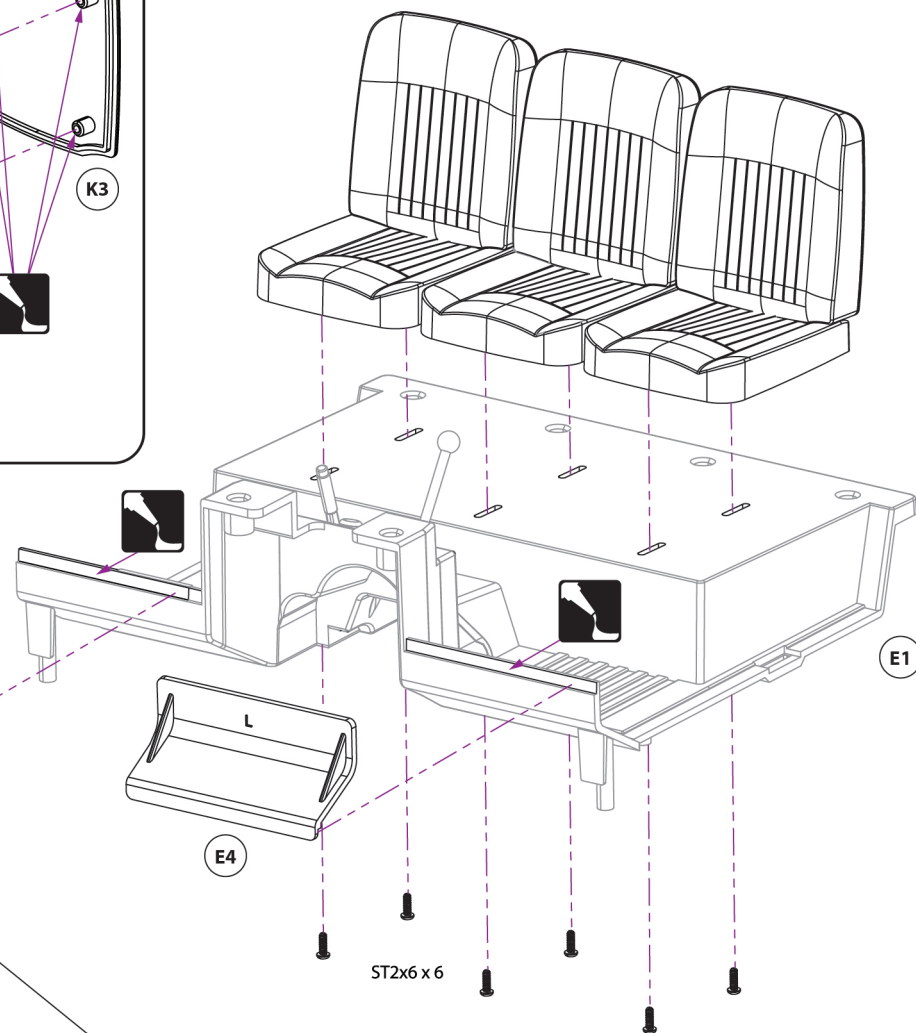
x3

Glue the front and rear back rest together, then glue it to the seat base.



9

ST2x6 x 6

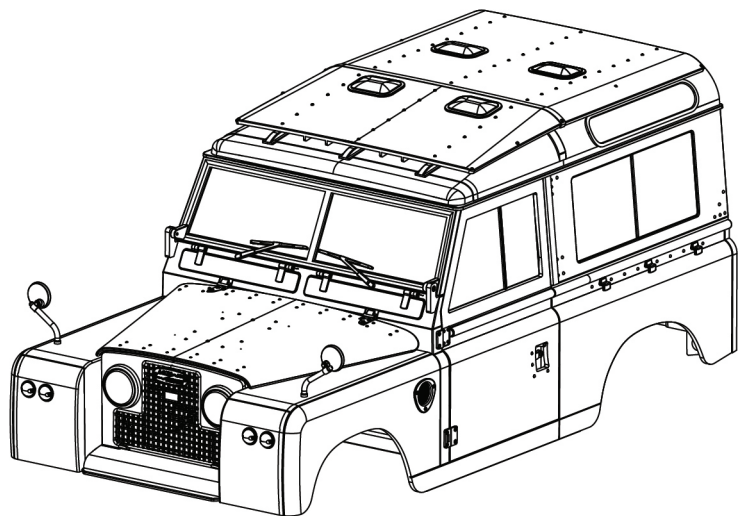


9

Glue the left and right front floor panels to the main floor panel. Attach the seats with six ST2x6 screws. Adjust the seats forward and backwards to your desired position.

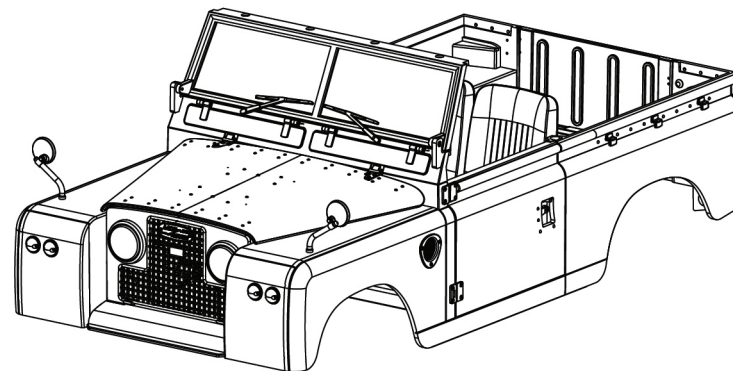


ARE YOU BUILDING A STATION WAGON OR CONVERTIBLE TRUCK?



STATION WAGON

P. 15



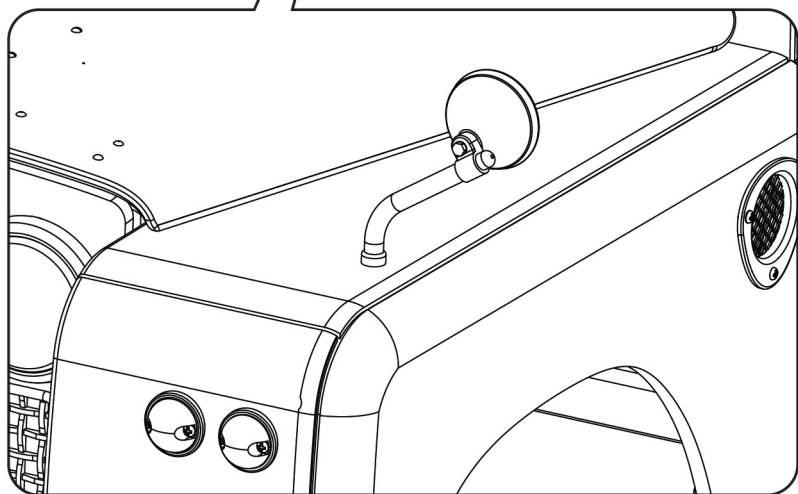
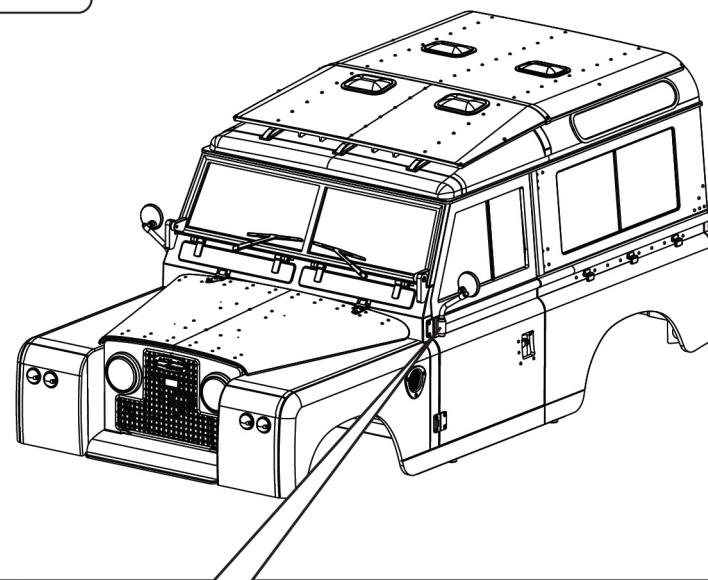
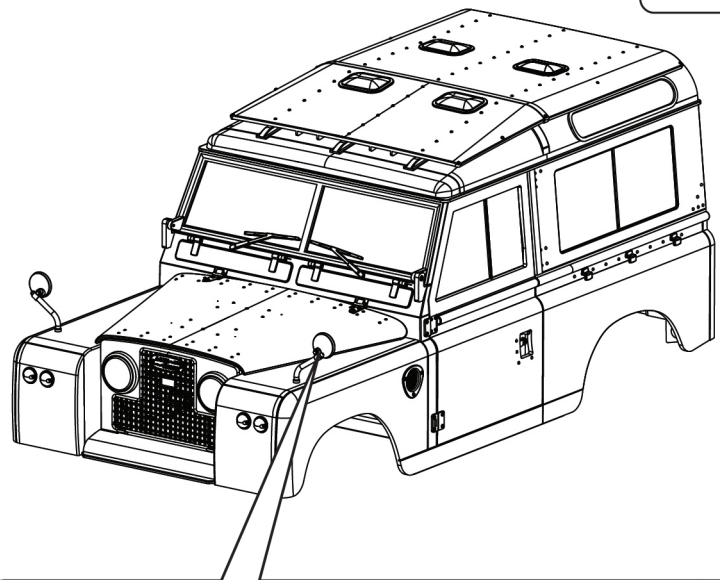
CONVERTIBLE

P. 32

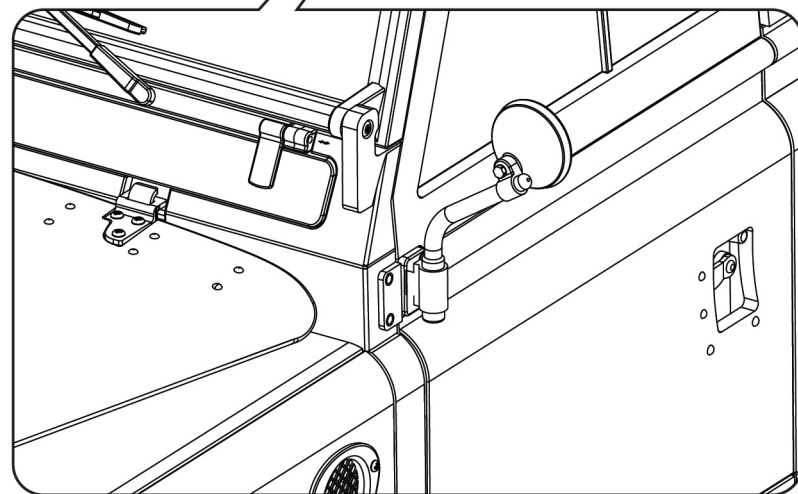
Continue to the next page if station wagon. Skip to page 32 if convertible.



PICK YOUR SIDE MIRROR LOCATION



FENDER MIRRORS



DOOR MIRRORS

STATION WAGON

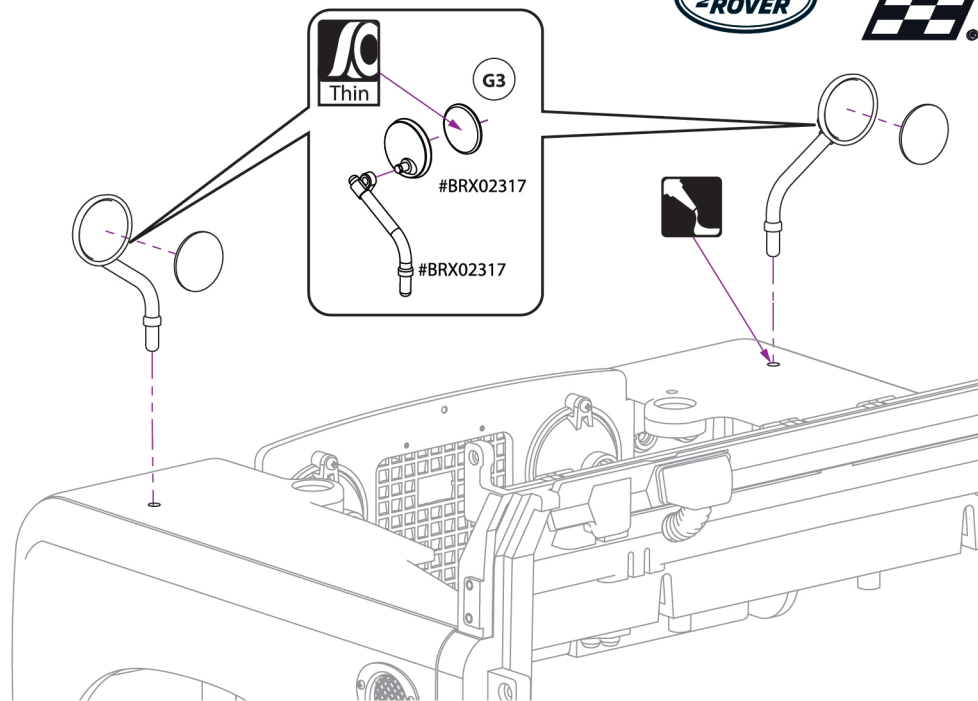
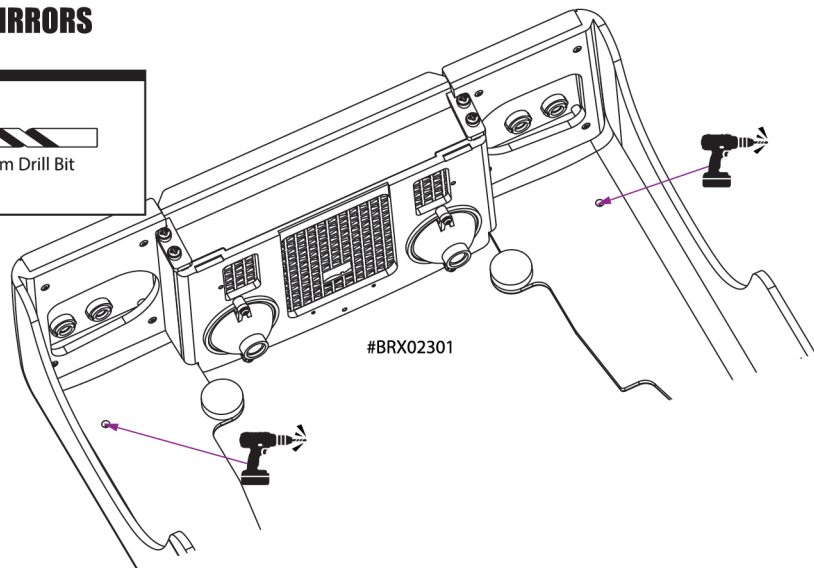
STATION WAGON

FENDER MIRRORS



10

Drill two 2.4mm holes into the front main body from underneath as indicated. Use the provided double-sided tape (thin) to stick the mirror plate to the rubber mirror head and push the head into the mirror arm. Push the mirror arm into the holes that you just drilled. Then glue from the bottom into position. Repeat on the other side.



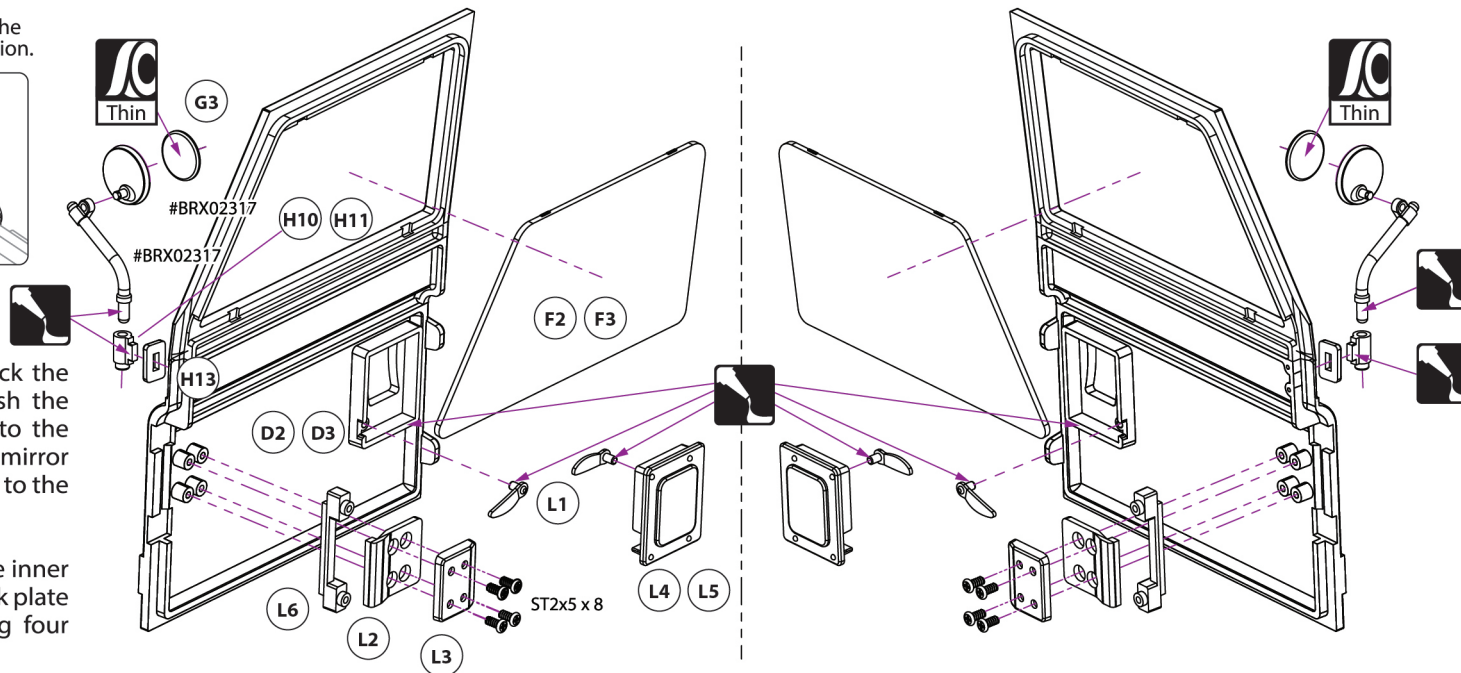
DOOR MIRRORS



10

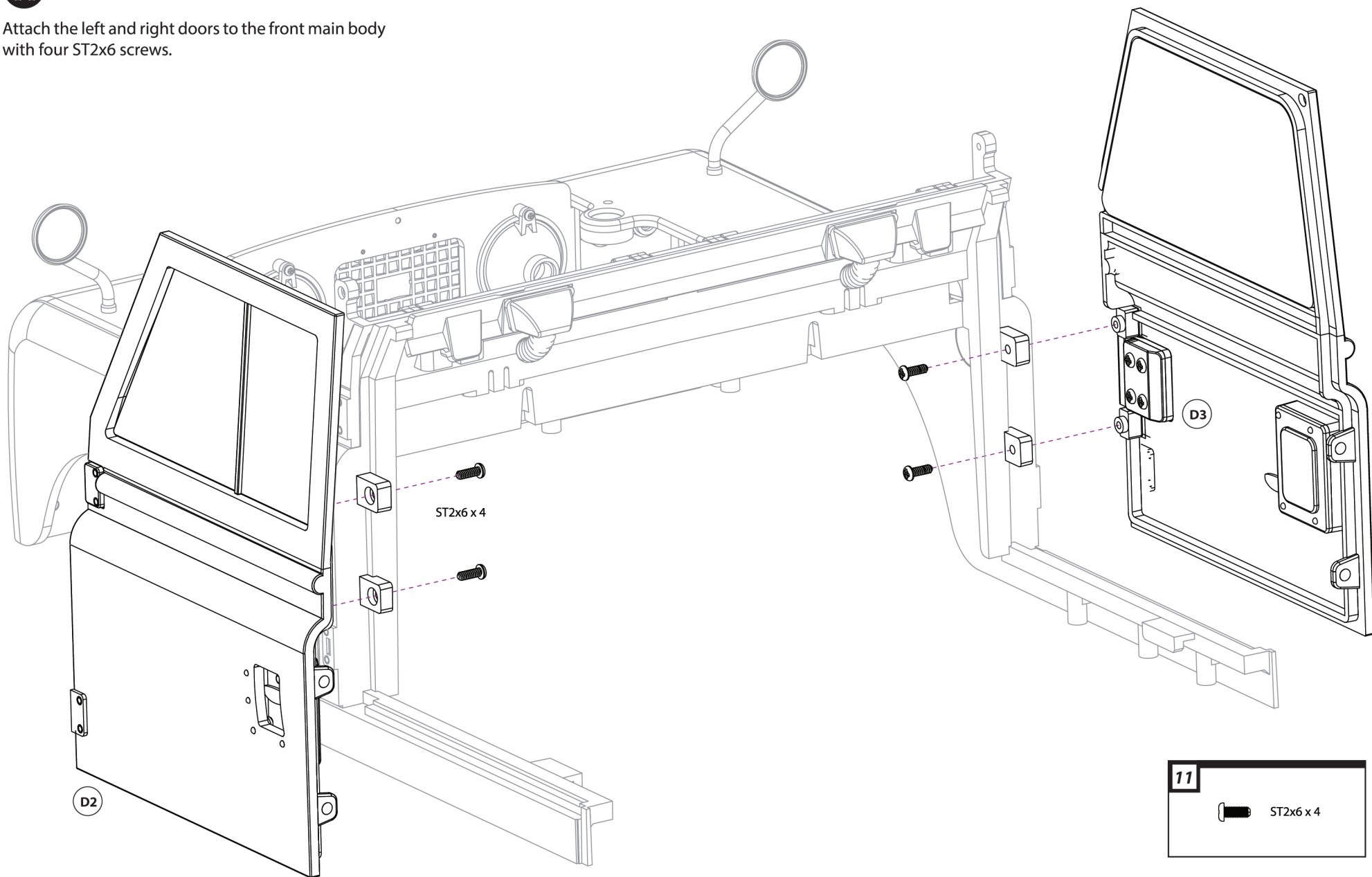
Use the provided double-sided tape (thin) to stick the mirror plate to the rubber mirror head and push the head into the mirror arm. Glue the mirror arm to the mirror arm holder. Next, glue the assembly to the mirror retaining plate, and then glue the whole assembly to the door. Repeat for the other side.

Clip the clear side window into position. Insert the inner and outer door handles into the door and door lock plate and glue into position. Attach door hinge using four ST2x5 screws. Repeat on the other side.



11


Attach the left and right doors to the front main body with four ST2x6 screws.



STATION WAGON

STATION WAGON

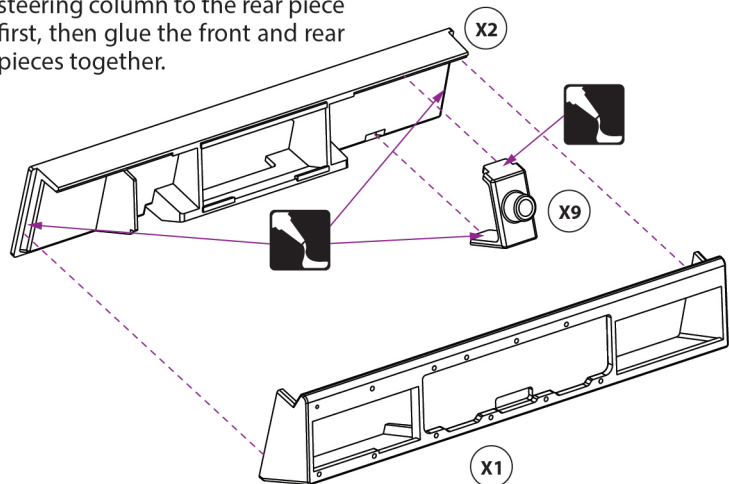
11



ST2x6 x 4

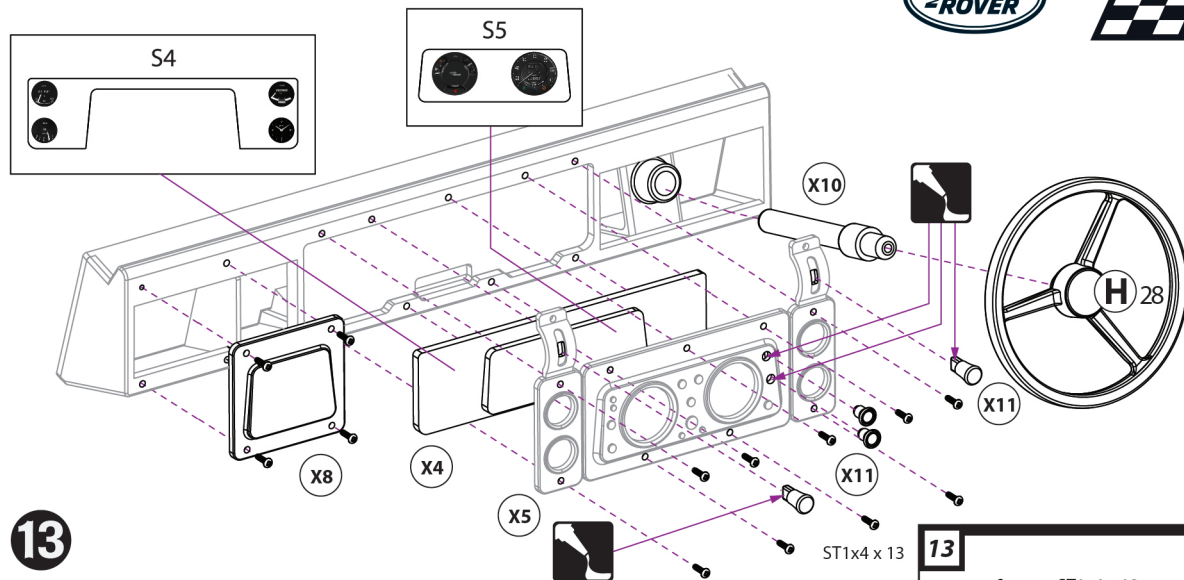
12

To build the dash panel, glue the steering column to the rear piece first, then glue the front and rear pieces together.



13

Attach the two decals to the instrument plate and place into the dash panel. Glue the four dash controls to the outer instrument panel and attach it to the dash panel with nine ST1x4 screws. Attach the side panel with four ST1x4 screws. Insert steering shaft into steering column and attach the steering wheel.

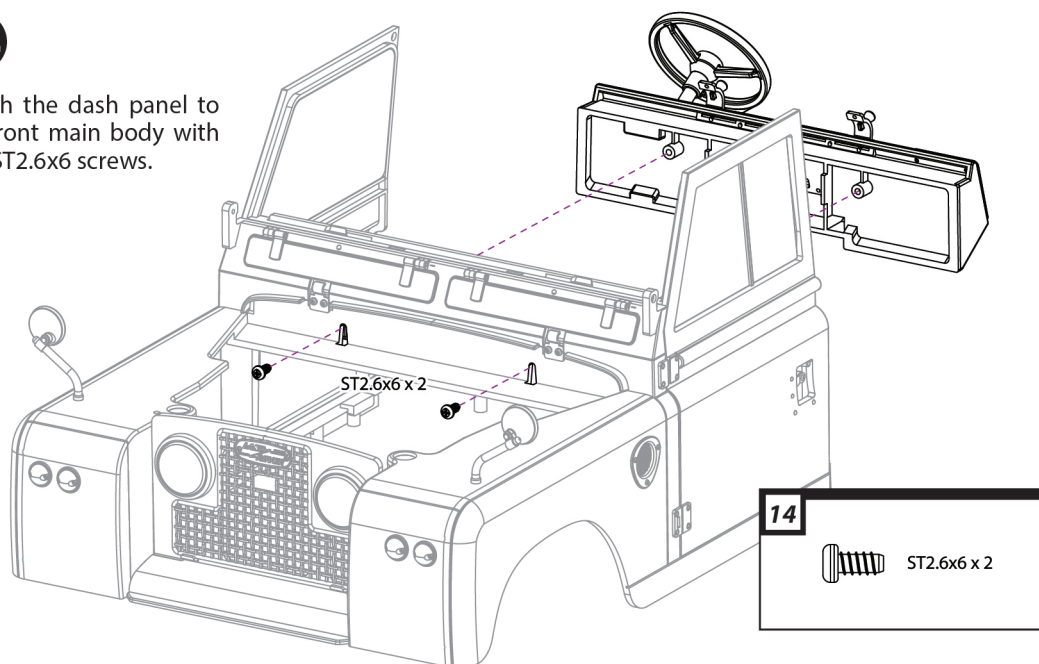


13

- ST1x4 x 13
- Decal Sticker

14

Attach the dash panel to the front main body with two ST2.6x6 screws.

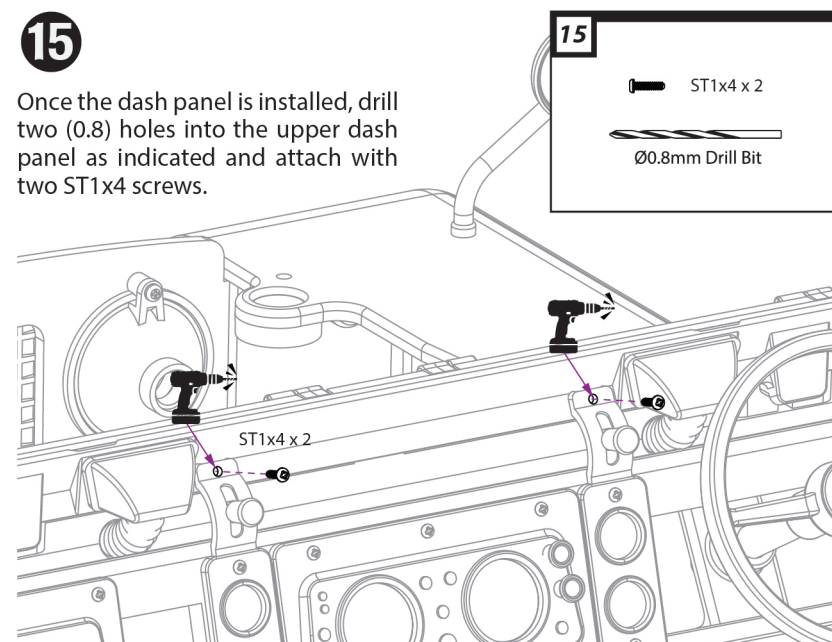


14

- ST2.6x6 x 2

15

Once the dash panel is installed, drill two (0.8) holes into the upper dash panel as indicated and attach with two ST1x4 screws.



15

- ST1x4 x 2
- Ø0.8mm Drill Bit

16

ST1x6 x 4

ST1x4 x 8

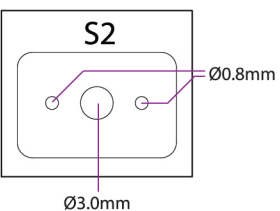
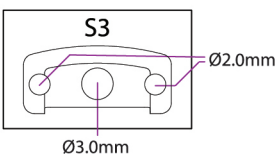
D3x4 x2

Decal Sticker

Ø0.8mm Drill Bit

Ø2.0mm Drill Bit

Ø3.0mm Drill Bit



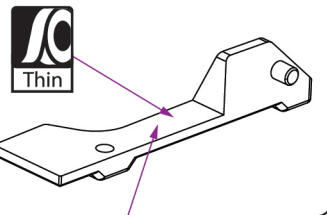
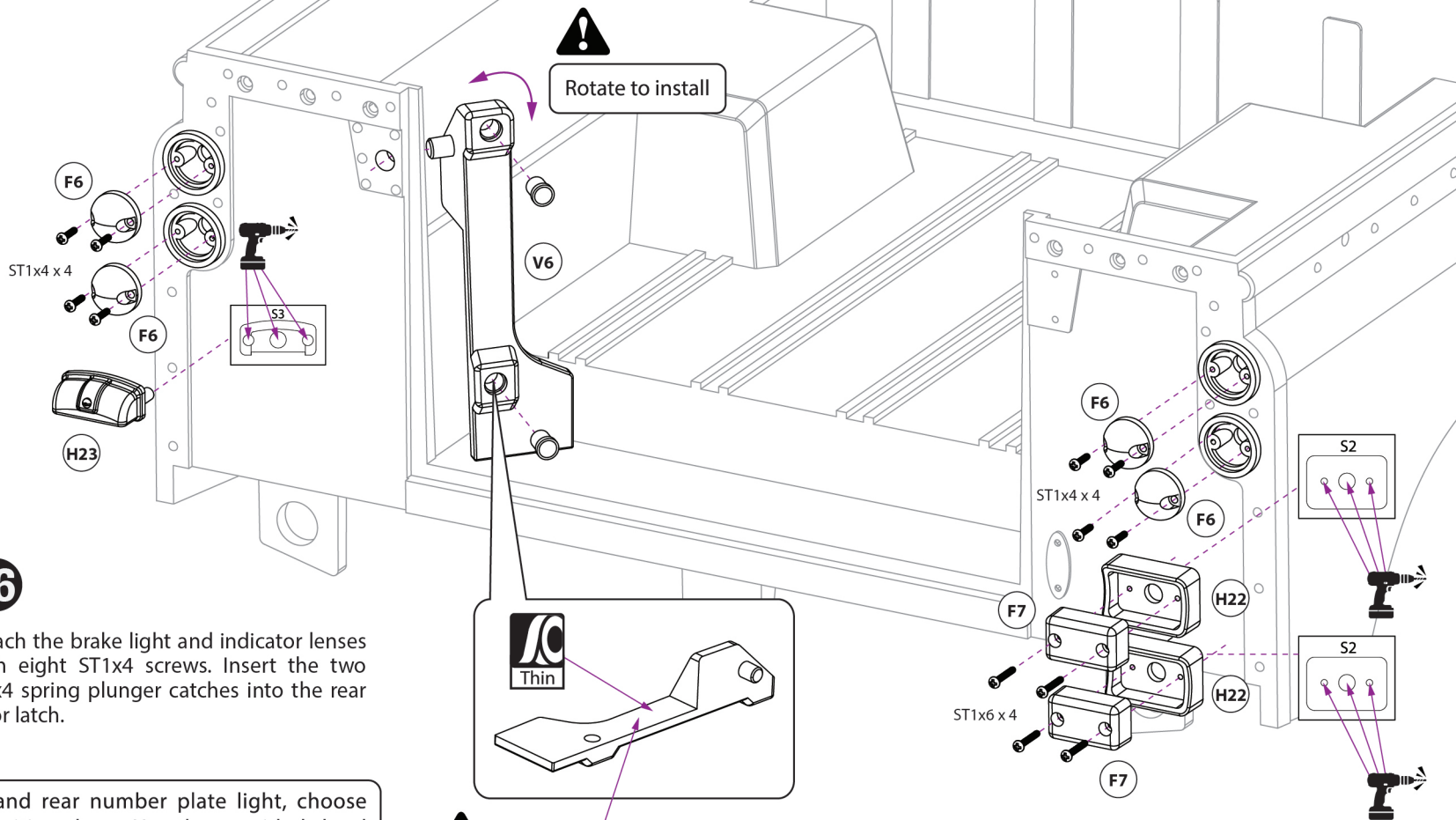
16

Attach the brake light and indicator lenses with eight ST1x4 screws. Insert the two D3x4 spring plunger catches into the rear door latch.



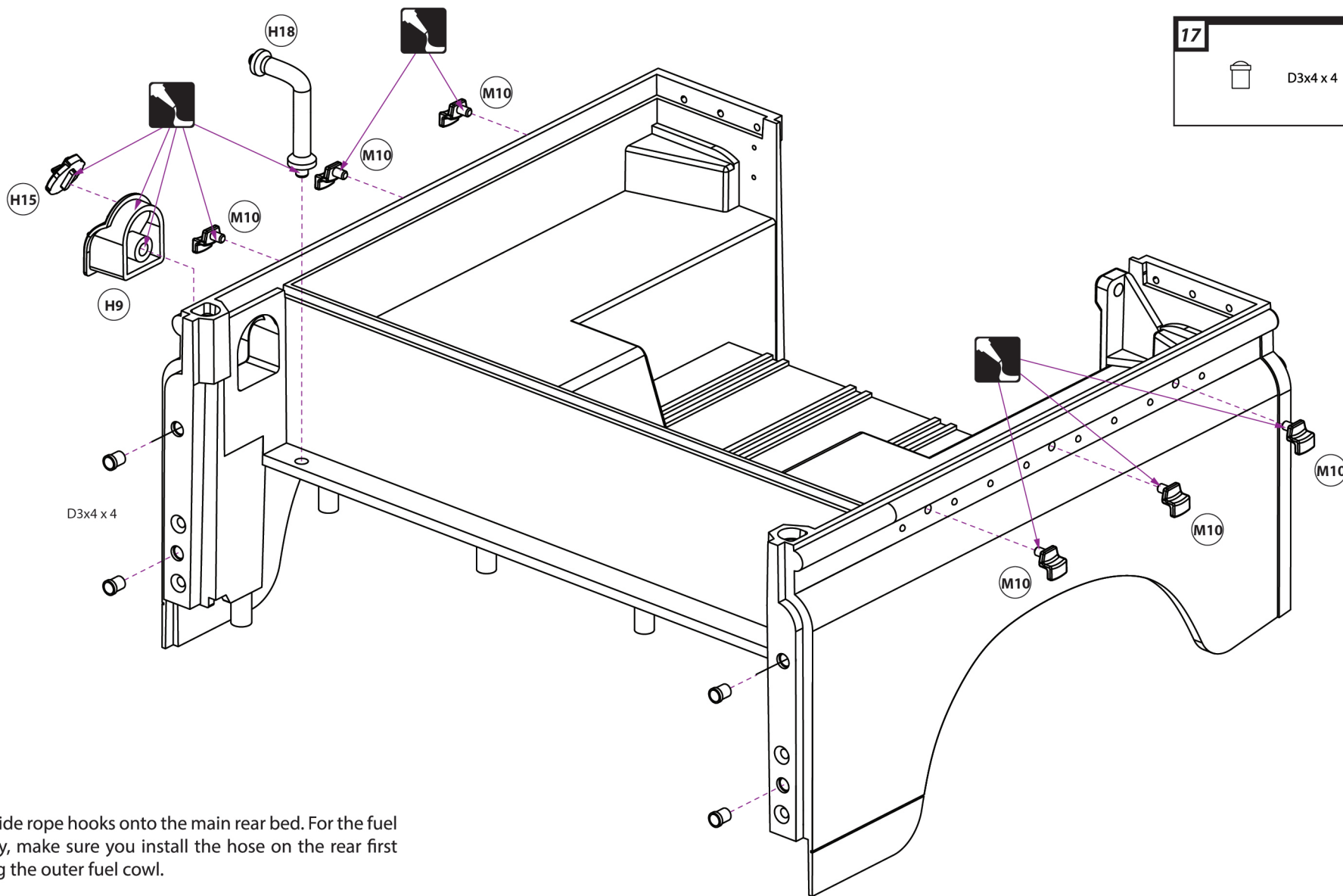
For the rear square lights and rear number plate light, choose where you would like to position them. Use the provided decal sticker to drill the holes for the lights, 3mm for LED / 0.8mm for screws, then remove the decal sticker. Next, attach the square lights with four ST1x6 screws. The number plate light you have to drill two 2.0mm holes and attached with a dab of glue. Every truck is different depending on region, so we leave that placement up to you.

Rotate to install



Only use this rear door latch if you are building the Wagon version. Attach the rear door latch with double-sided tape (thin) to the rear bed so you can rebuild the body into a convertible truck later. Or, you may choose to glue it on but you cannot go back to a building a convertible truck.

17
D3x4 x 4



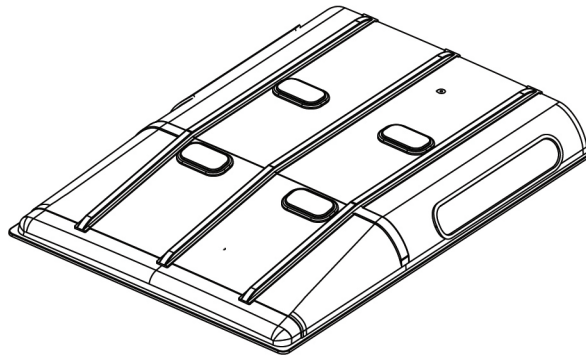
17

Glue all six side rope hooks onto the main rear bed. For the fuel cap assembly, make sure you install the hose on the rear first before gluing the outer fuel cowl.

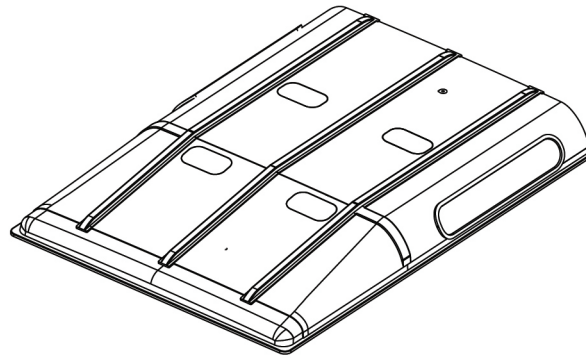
Insert four D3x4 spring plunger catches into the bed as indicated.



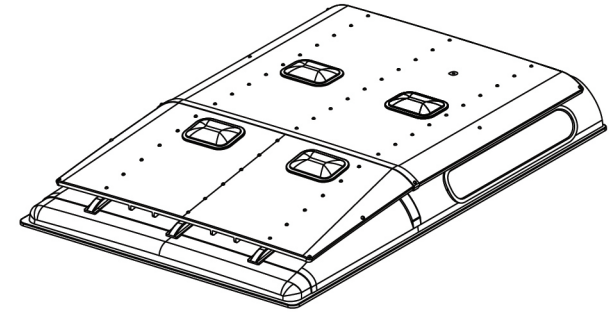
CHOOSE THE STYLE OF ROOF YOU WANT TO BUILD



VENTED ROOF



FLUSH ROOF

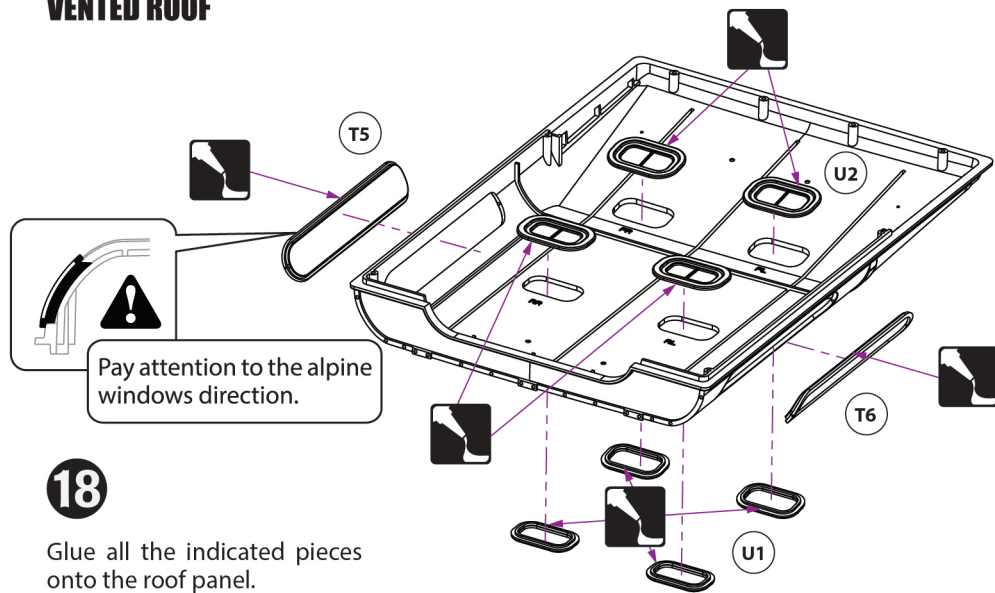


TROPICAL ROOF

STATION WAGON

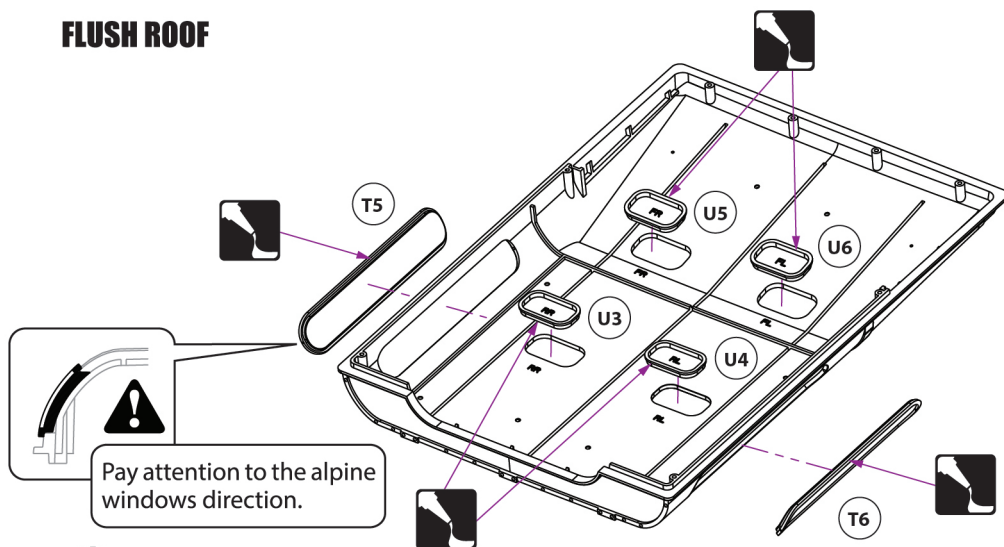
STATION WAGON

VENTED ROOF



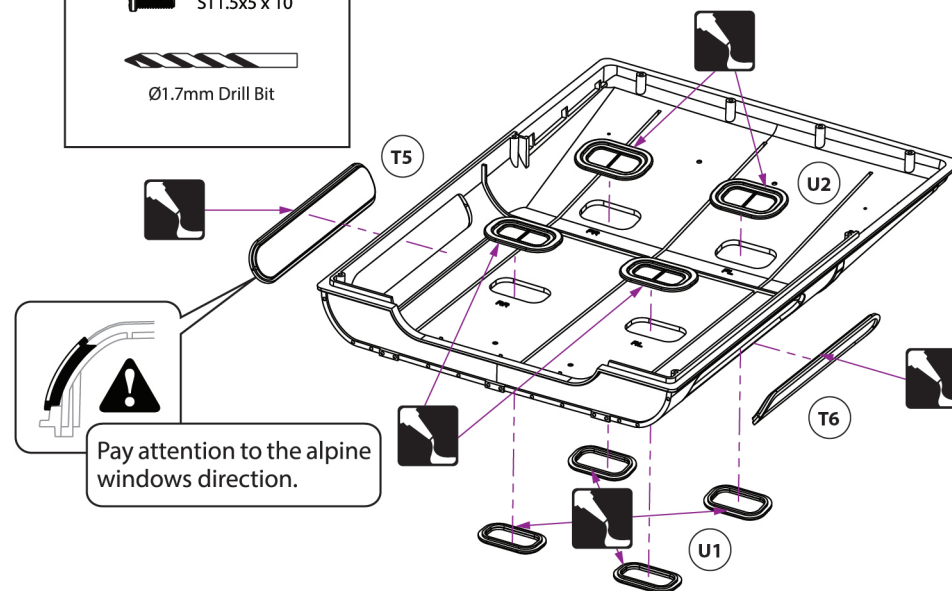
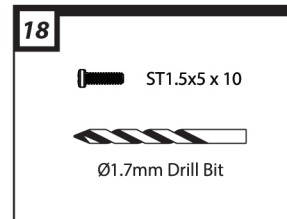
18
Glue all the indicated pieces onto the roof panel.

FLUSH ROOF

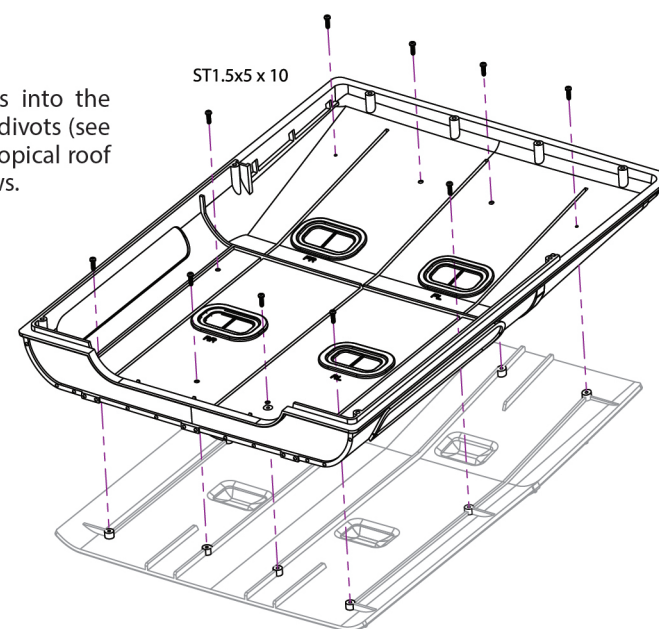


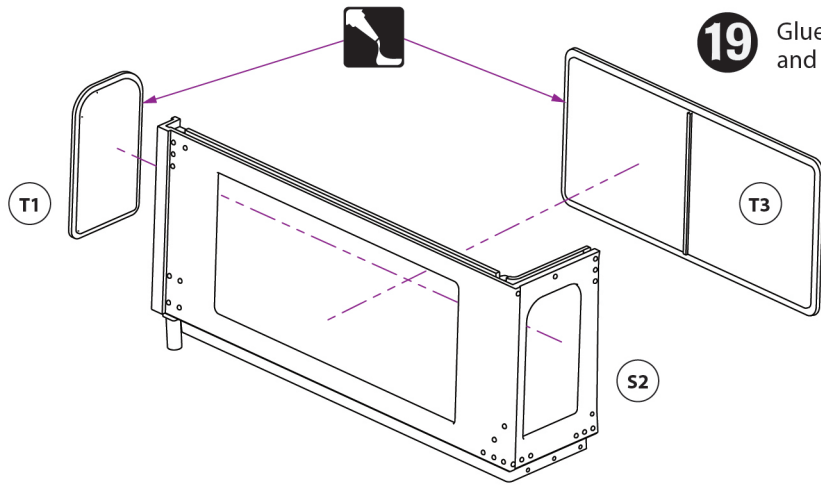
18
Glue all the indicated pieces onto the roof panel, making sure you follow all the indicated letters. For best results, use modeling filler to fill the gaps.

TROPICAL ROOF

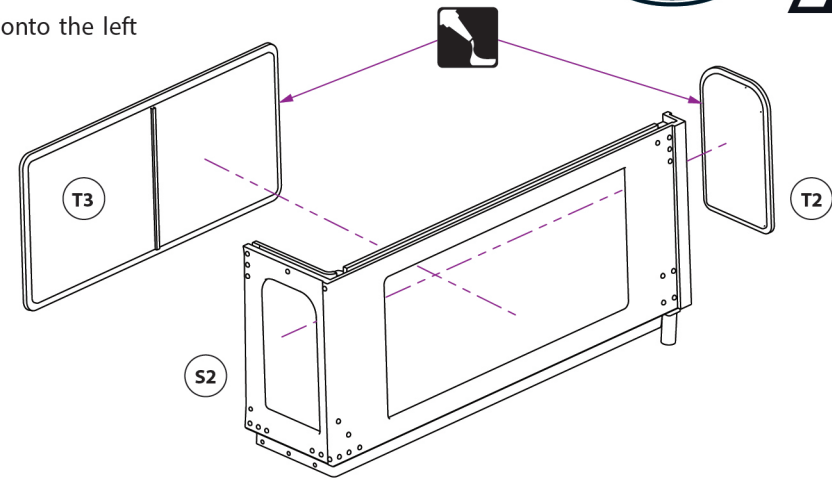


18
Drill ten 1.7mm holes into the roof, indicated by the divots (see graphic). Attach the tropical roof with ten ST1.5x5 screws.

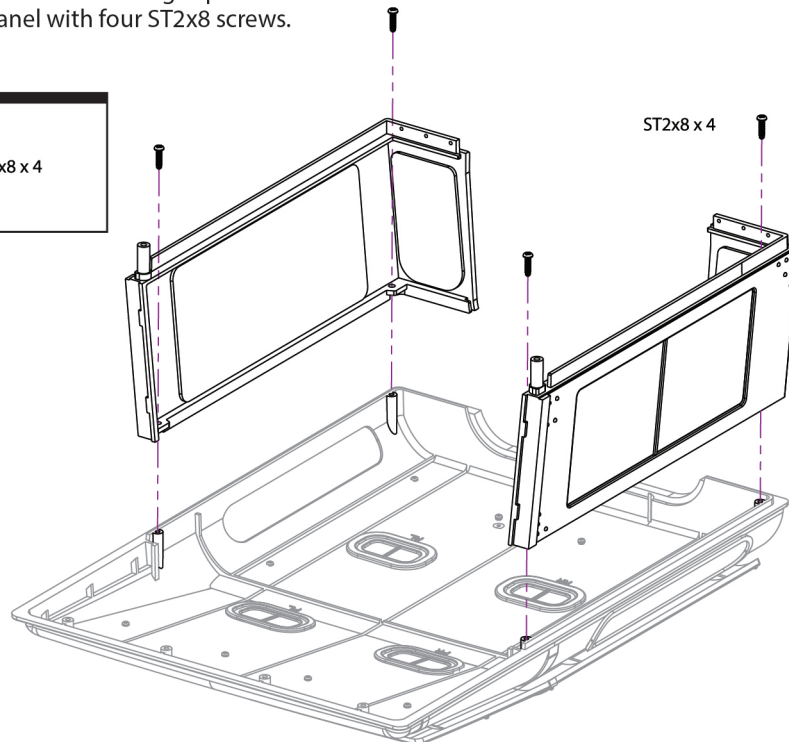
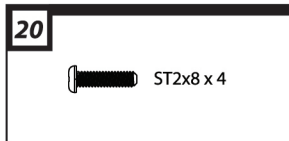




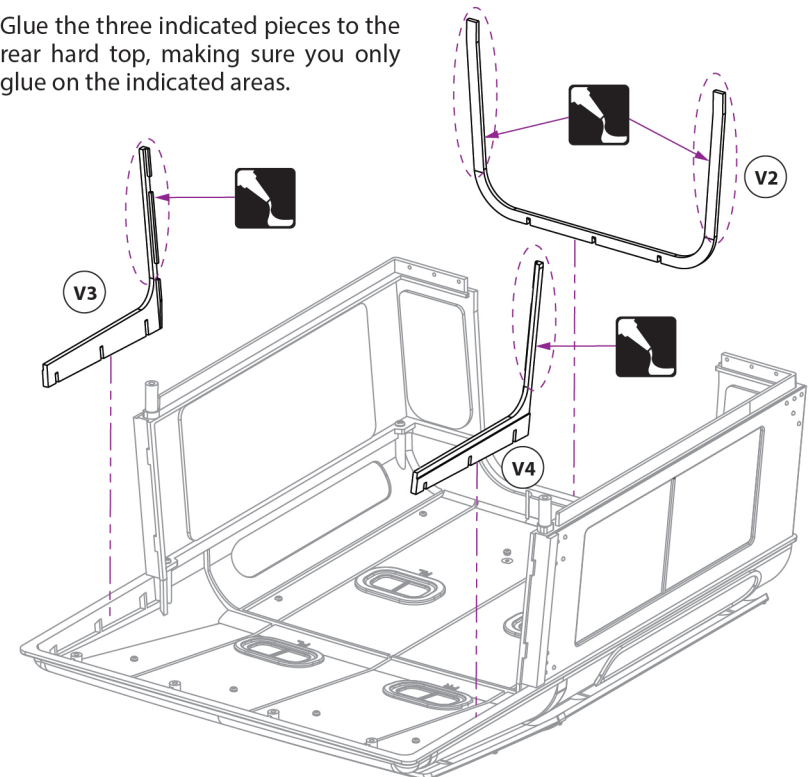
19 Glue the clear windows onto the left and right rear panel.



20 Attach the rear left and right panel to the roof panel with four ST2x8 screws.

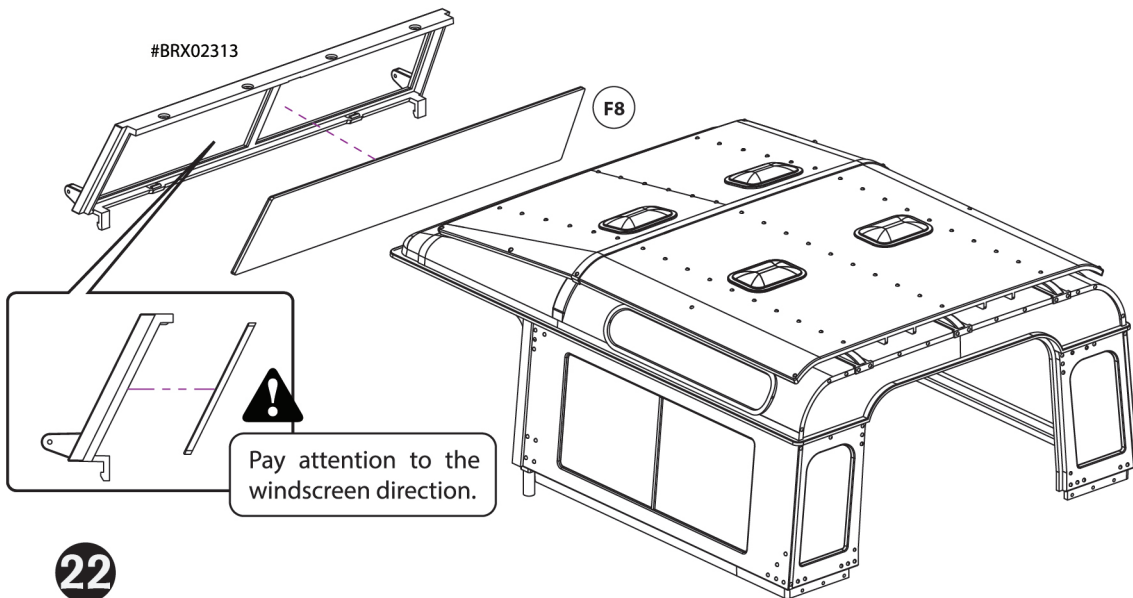


21 Glue the three indicated pieces to the rear hard top, making sure you only glue on the indicated areas.



#BRX02313

F8

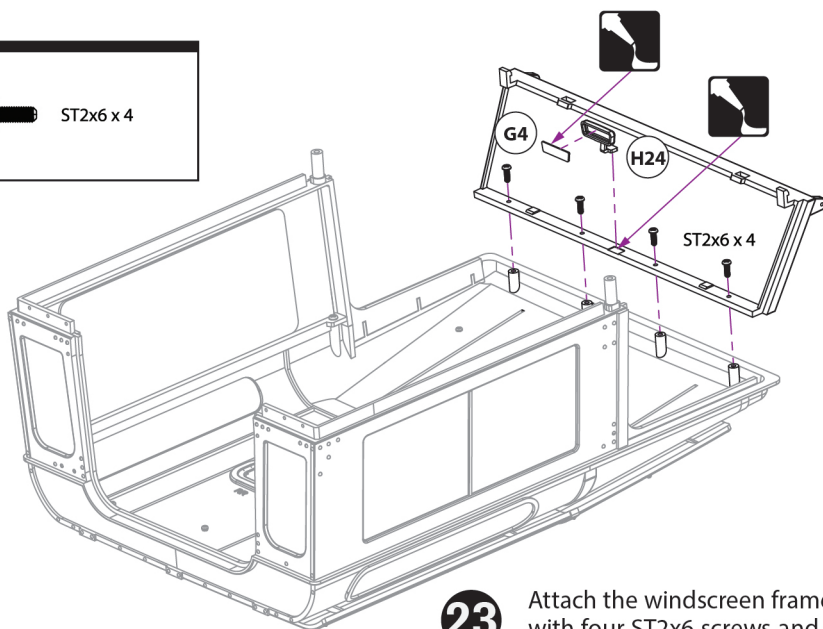


22

Clip the windscreen into the windscreen frame.

23

ST2x6 x 4



23

Attach the windscreen frame to the hard top with four ST2x6 screws and glue the interior mirror onto the indicated location.

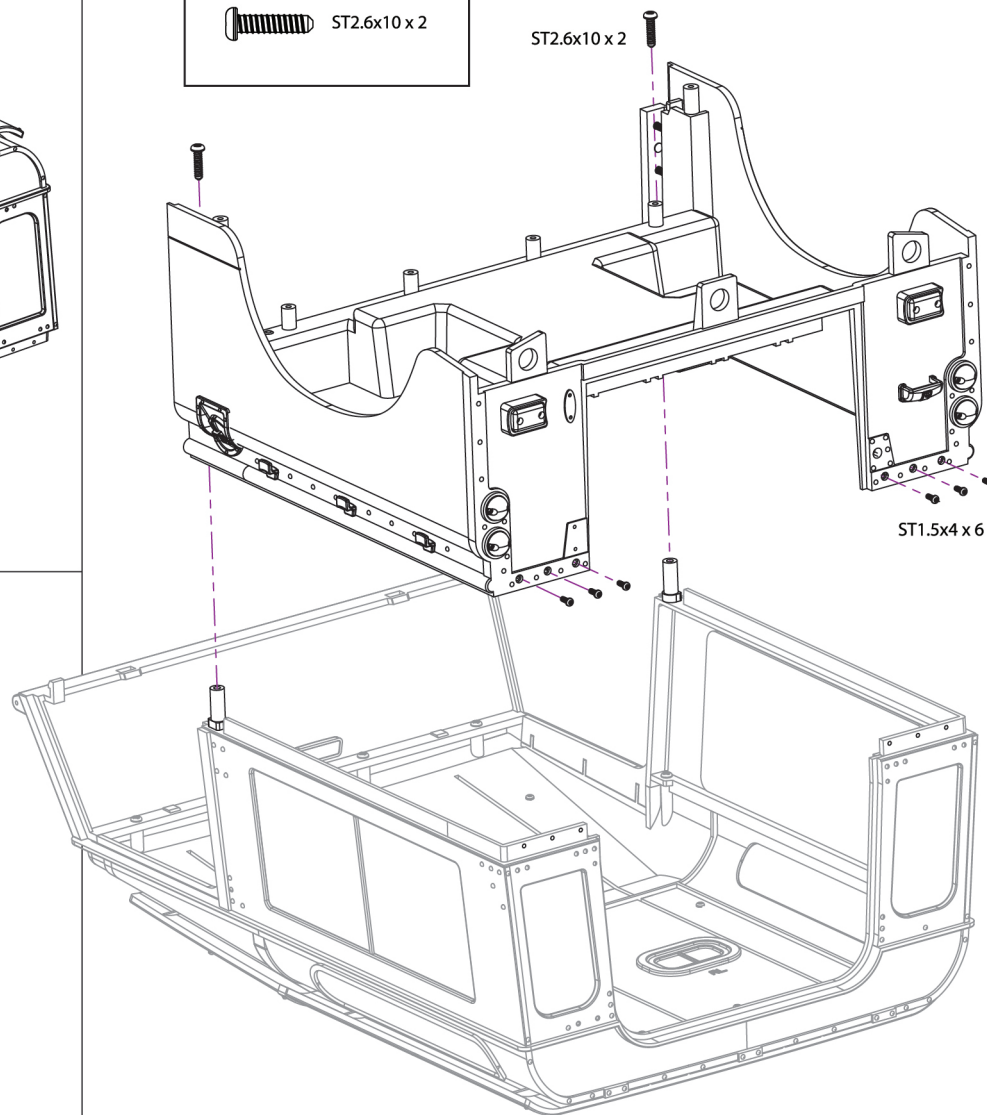
24

ST1.5x4 x 6

ST2.6x10 x 2

ST2.6x10 x 2

ST1.5x4 x 6




24

Attach the hard top to the rear main bed with two ST2.6x10 screws and six ST1.5x4 screws.

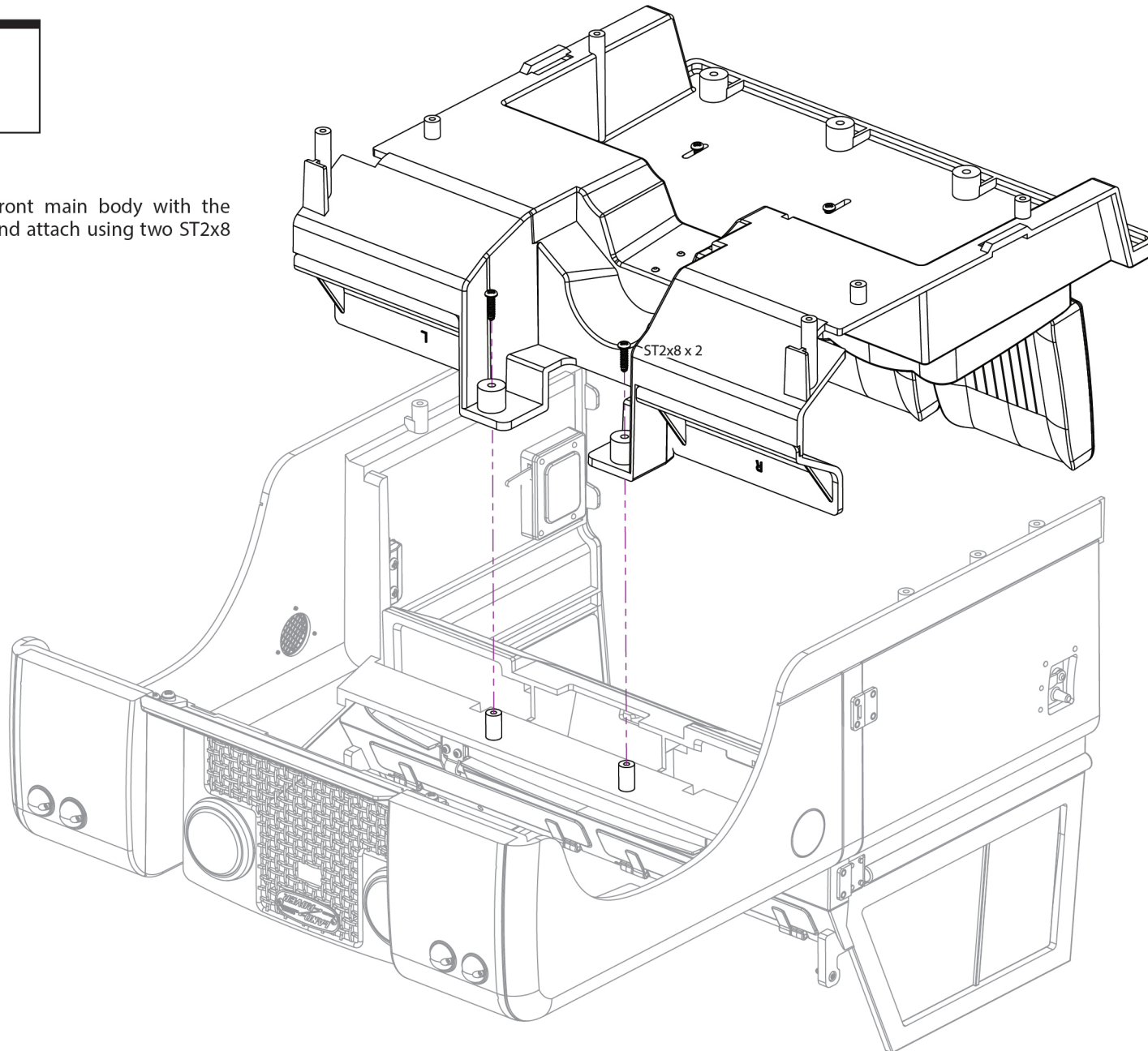


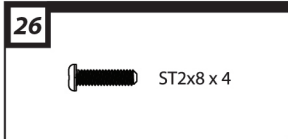
25

 ST2x8 x 2

25

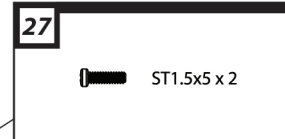
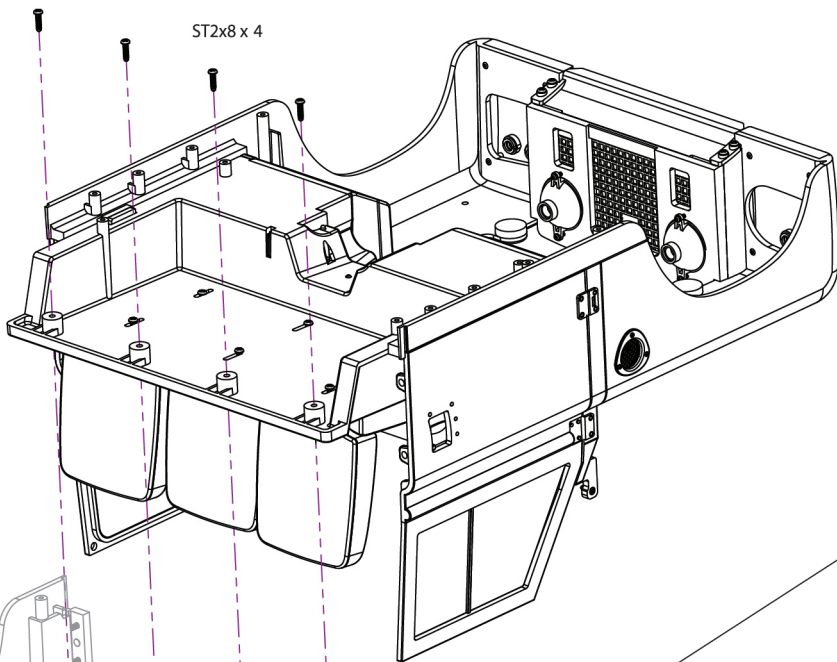
Line up the front main body with the interior floor and attach using two ST2x8 screws.





26

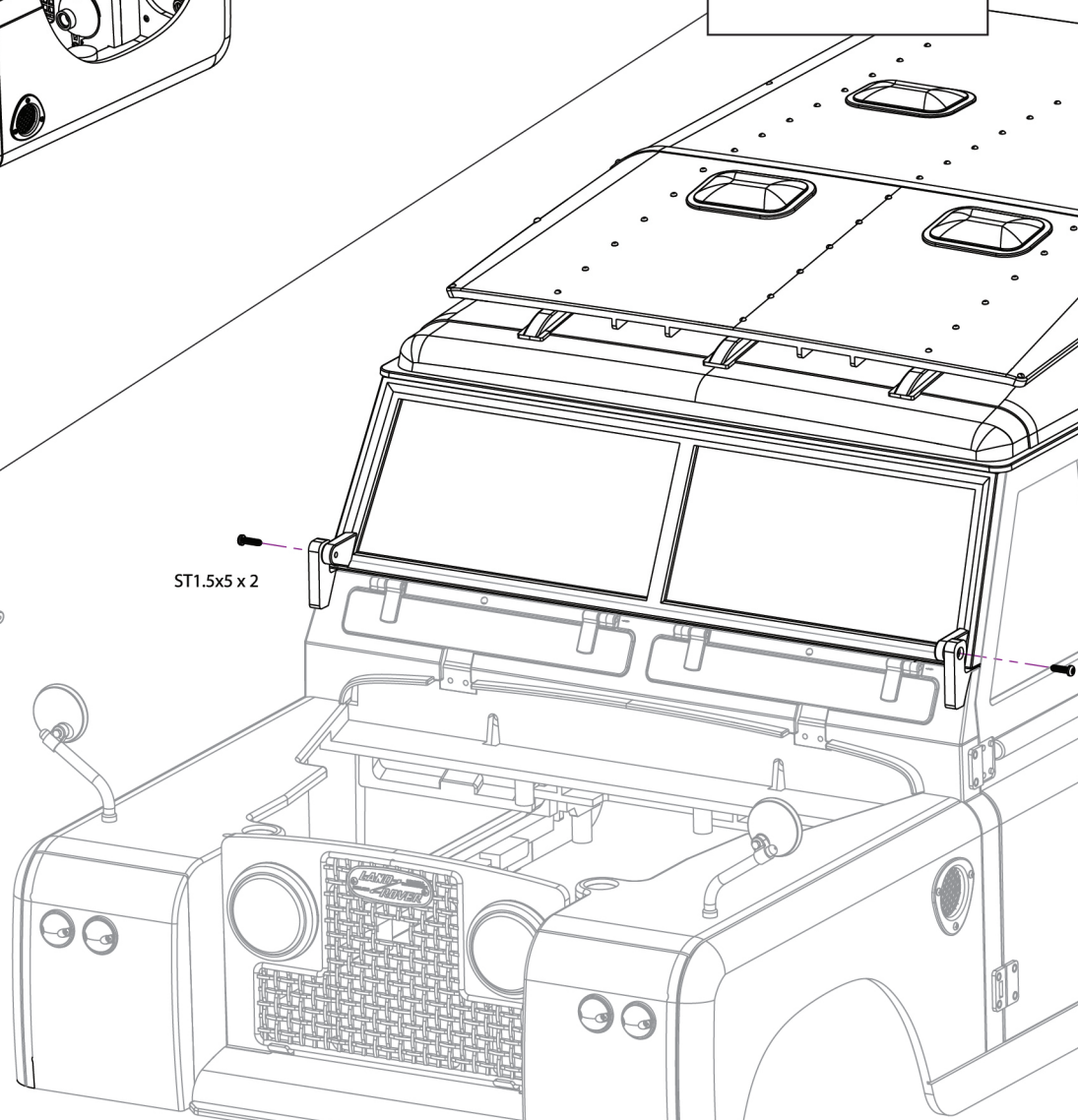
Line up the rear bed with hard top to the front main body with the interior and attach using four ST2x8 screws.



ST1.5x5 x 2

27

Attach the windscreen frame to the vent panel hinge mounts with two ST1.5x5 screws.

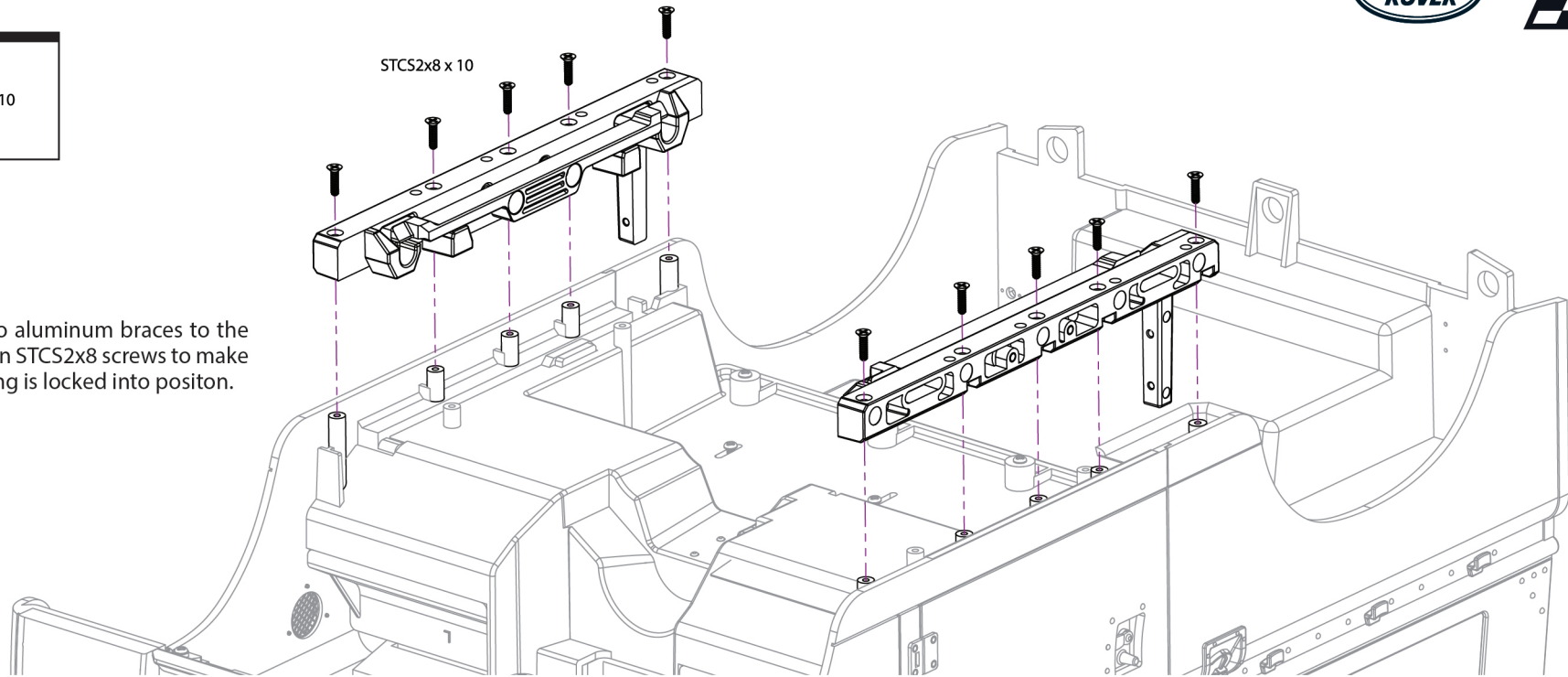


28

STCS2x8 x 10

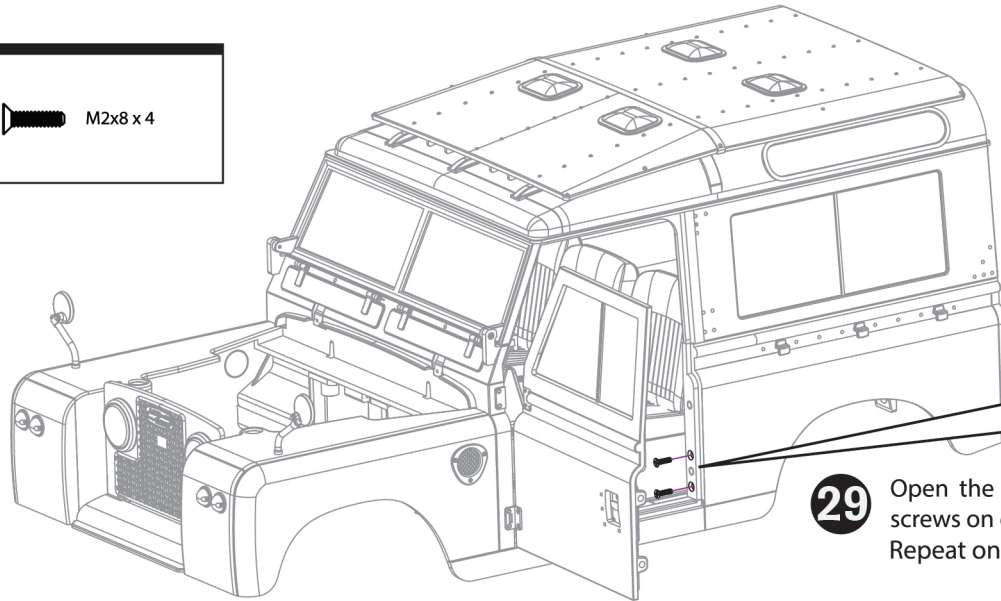
28

Install the two aluminum braces to the body using ten STCS2x8 screws to make sure everything is locked into position.



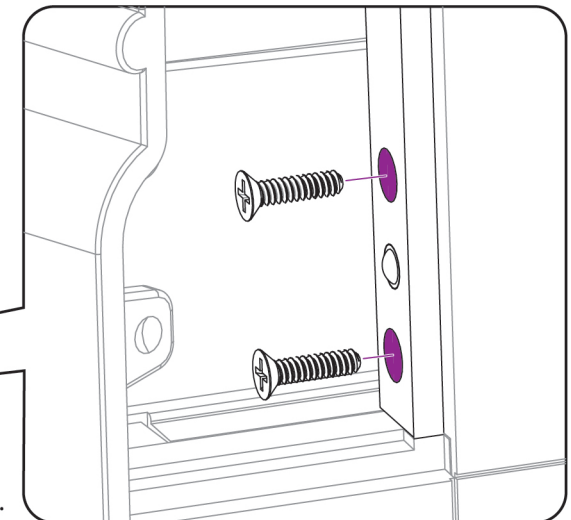
29

M2x8 x 4



29

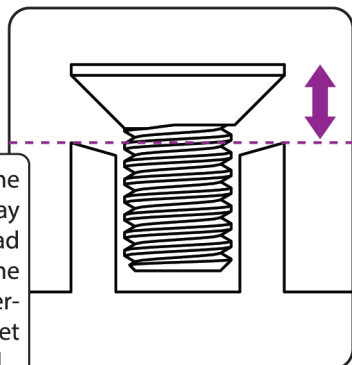
Open the doors and fasten two M2x8CS screws on each side into the aluminum brace. Repeat on other side.



Use the two STCS3x6 screws to adjust the height of the bonnet and how tight they latch to the magnet.



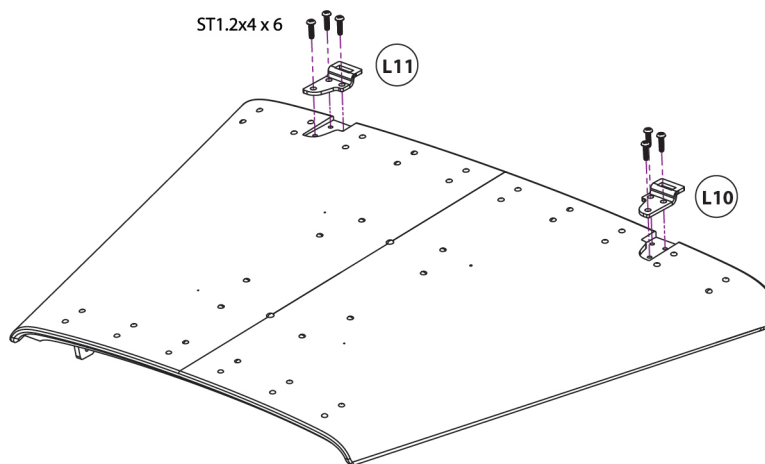
Do not tighten the screws all the way down. The head must not pass the dotted line, otherwise the bonnet can be damaged.



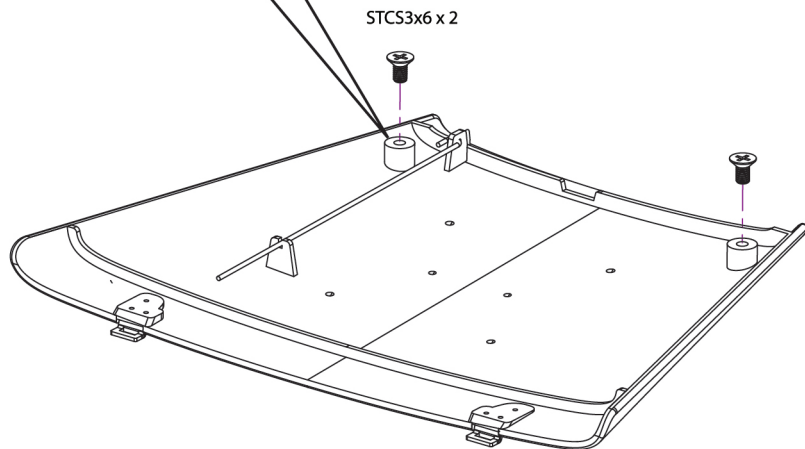
ST1.2x4 x 6

L11

L10

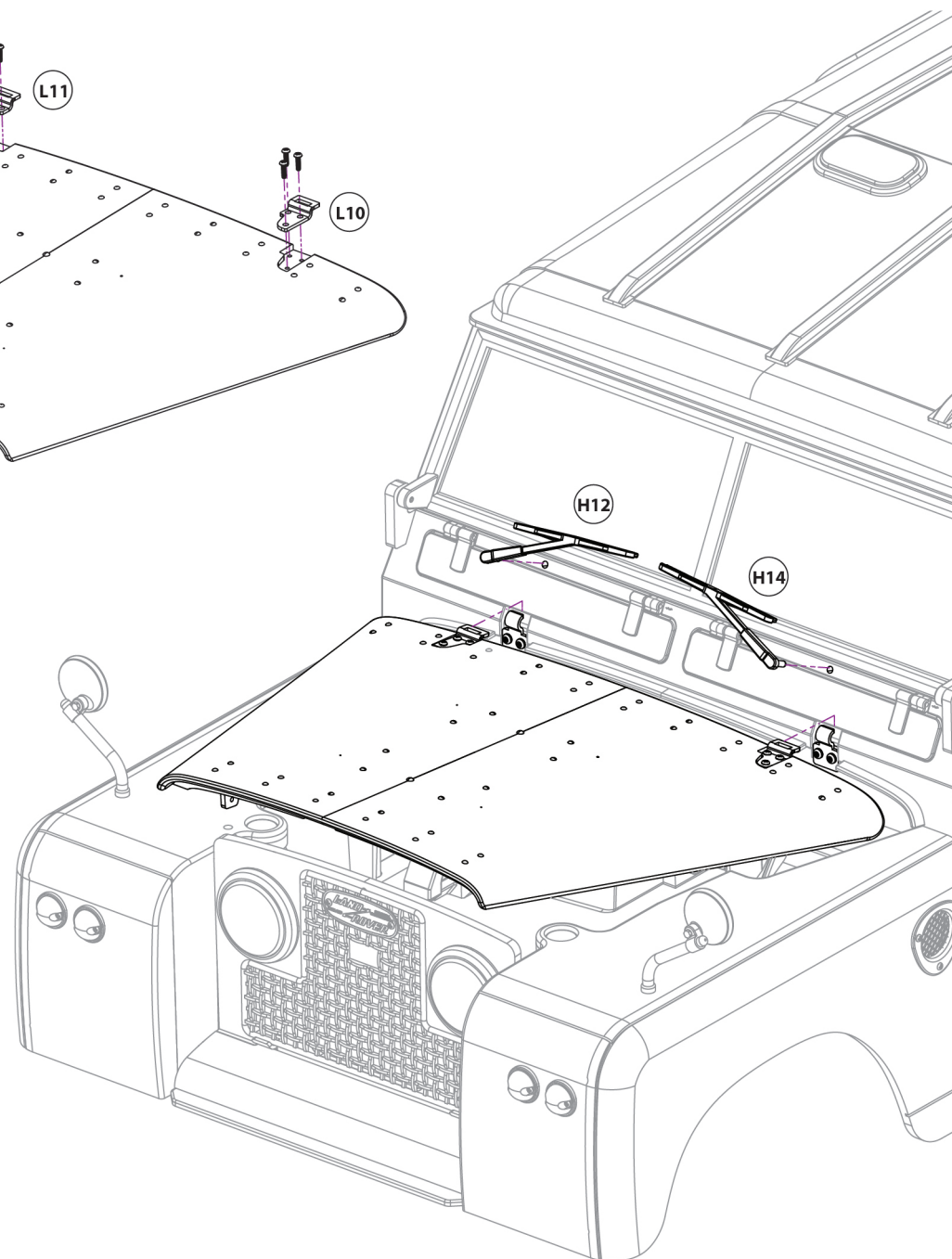


STCS3x6 x 2



H12

H14



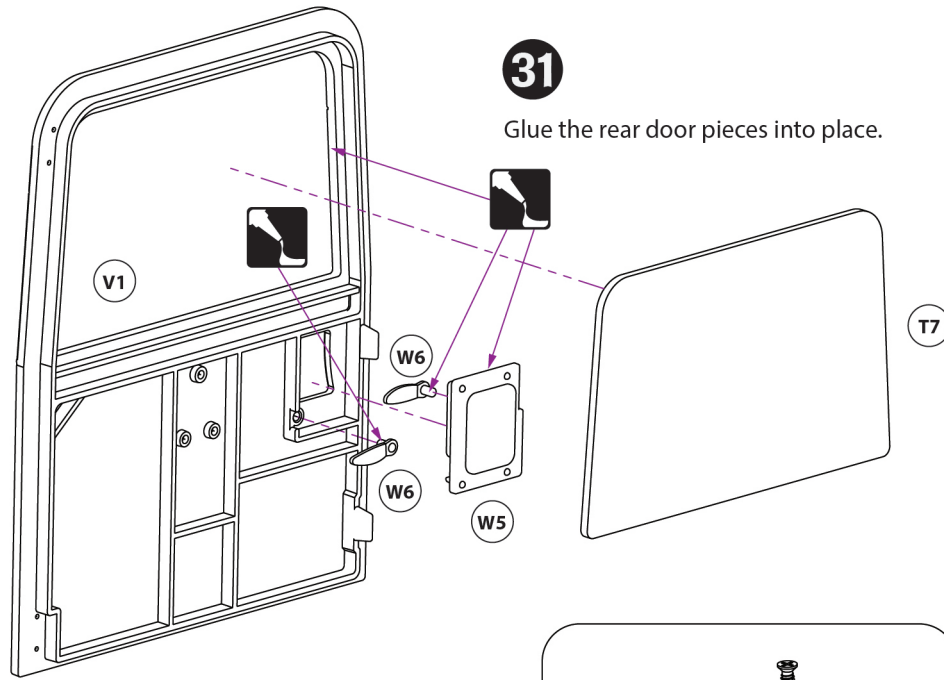
30

 ST1.2x4 x 6

 STCS3x6 x 2

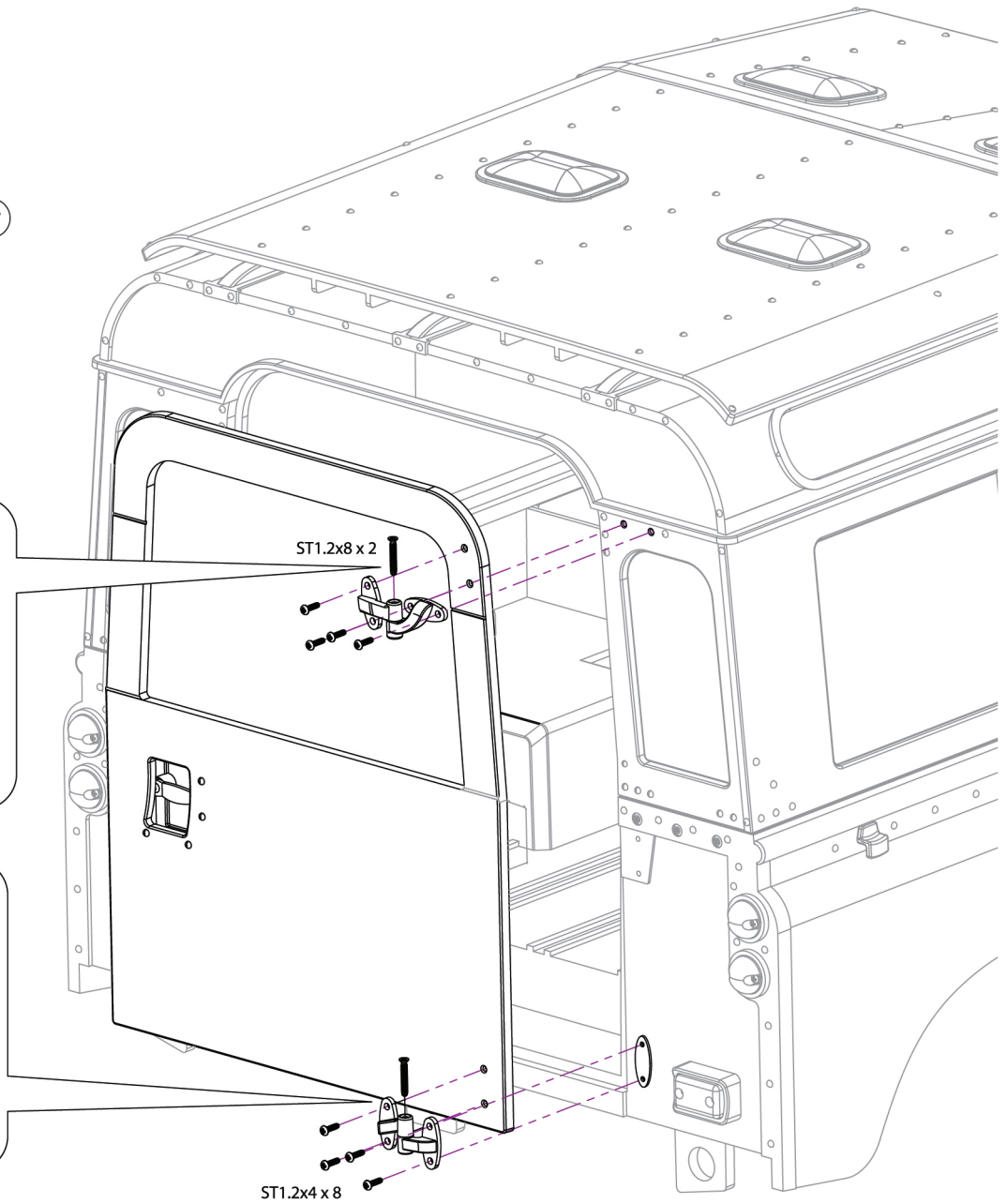
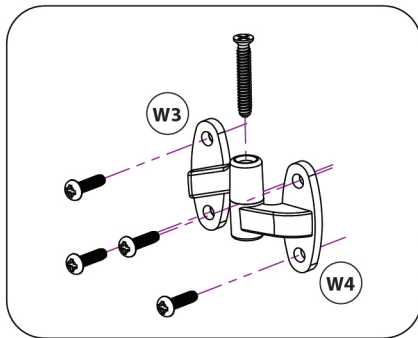
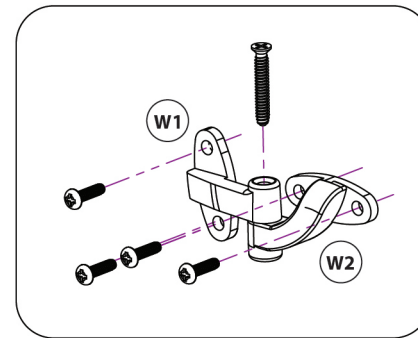
30

Attach the left and right bonnet hinge to the bonnet with six ST1.2x4 screws and two STCS3x6 screws into the bonnet. Attach the windscreen wipers.

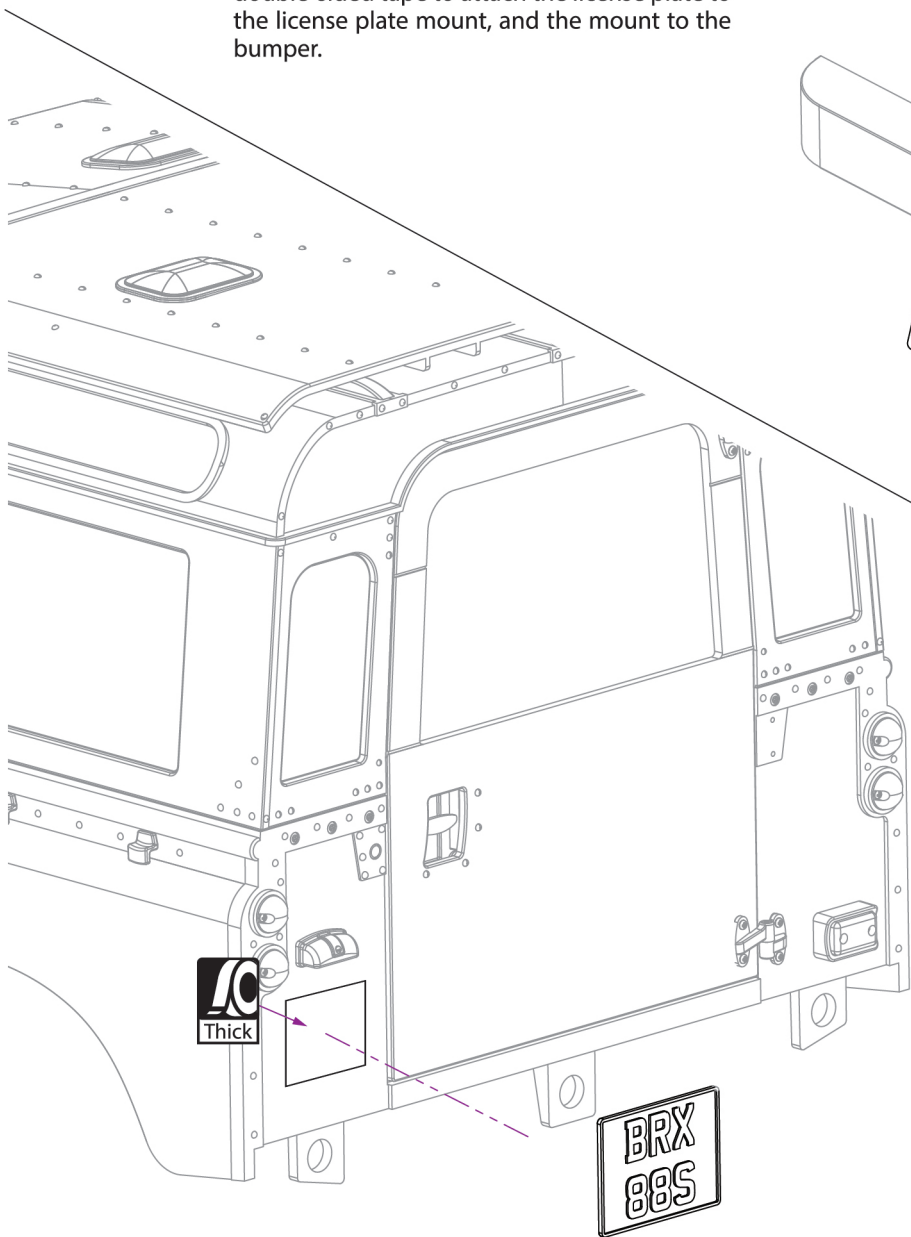
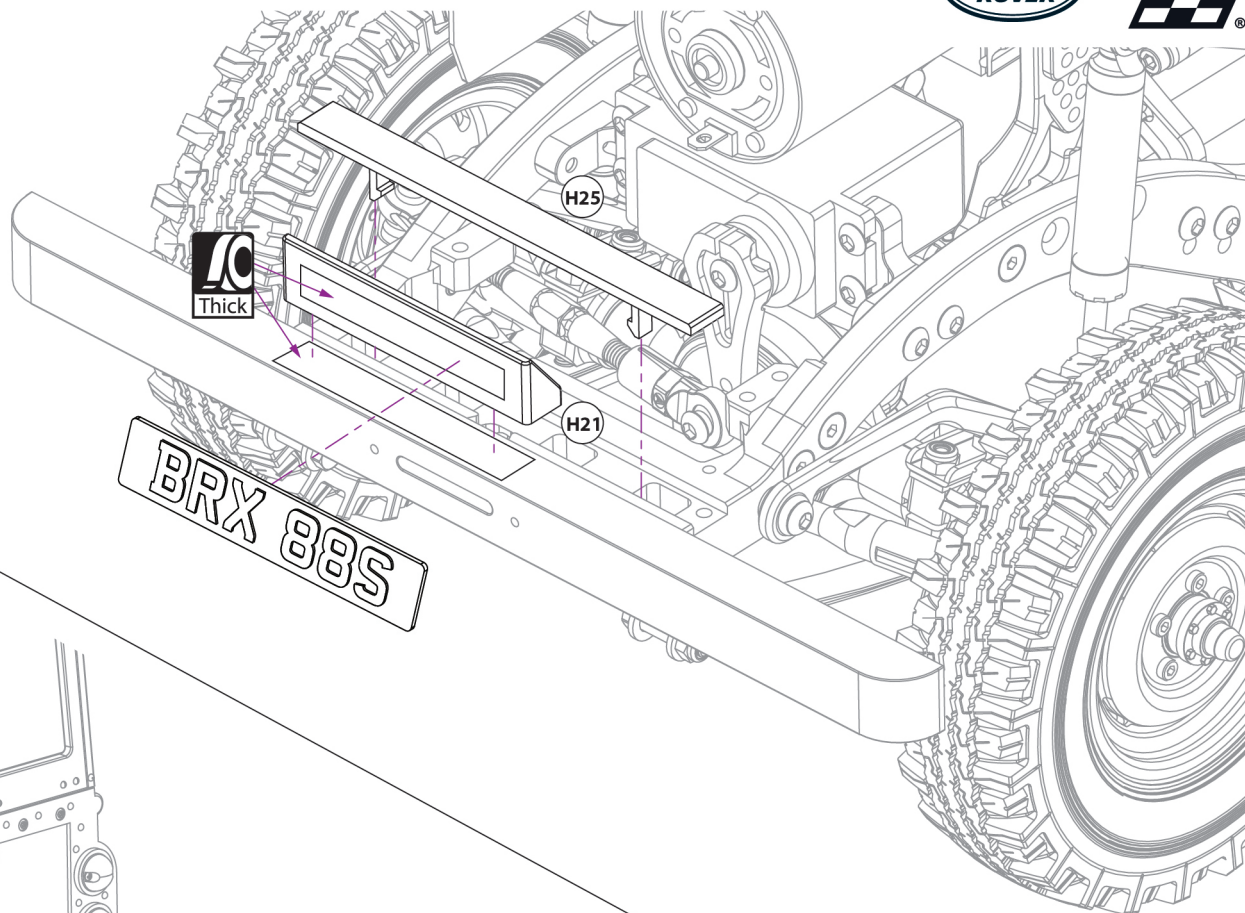


32
Assemble the two hinges with two ST1.2x8 screws making sure the correct pieces go together. Then, attach the two rear door hinge assemblies to the door and body with eight ST1.2x4 screws.

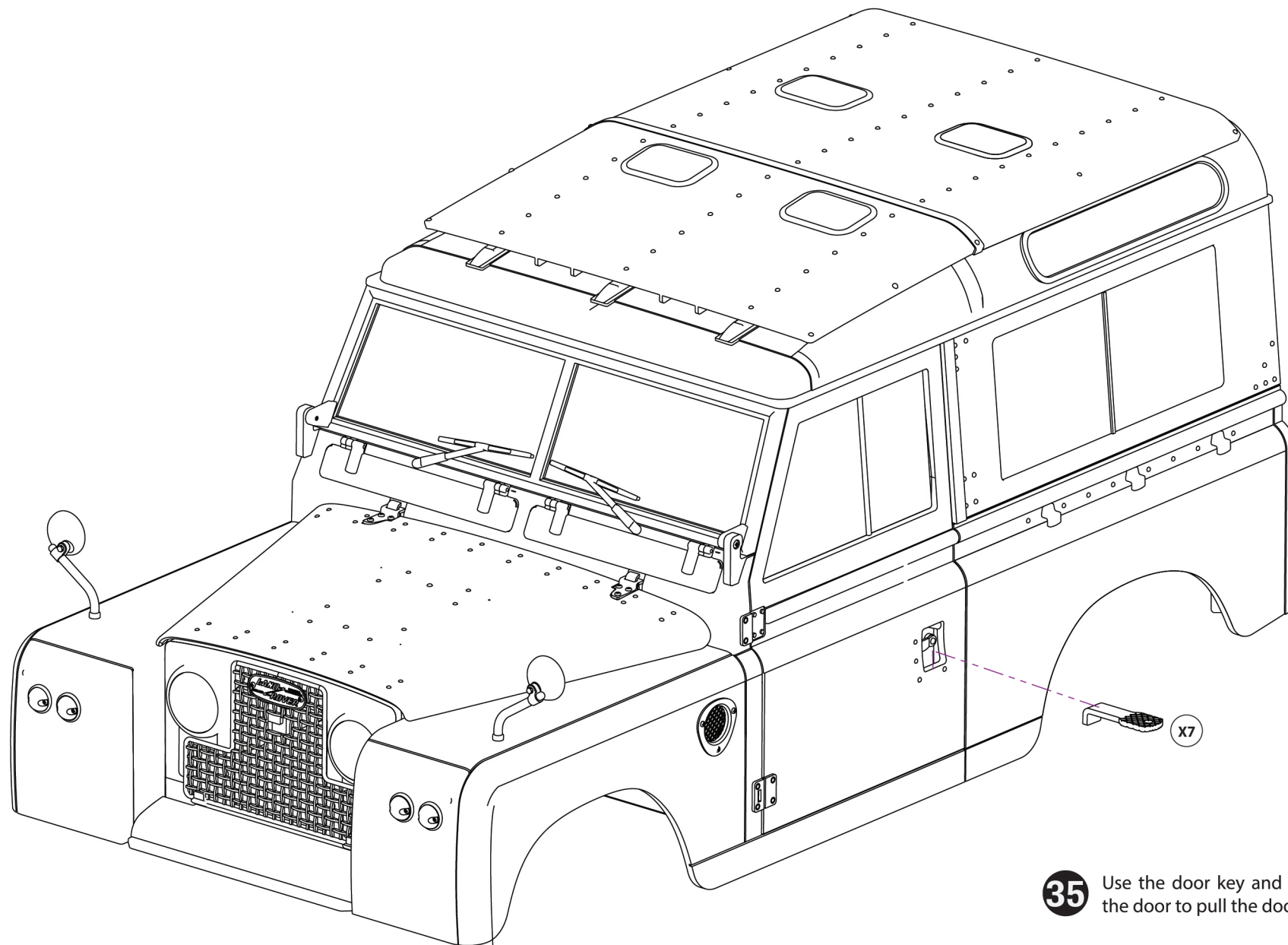
- | | |
|-----------|-------------|
| 32 | ST1.2x4 x 8 |
| | ST1.2x8 x 2 |



33 Insert the blanking plate to the front chassis crossmember. It should snap into place. Use double-sided tape to attach the license plate to the license plate mount, and the mount to the bumper.



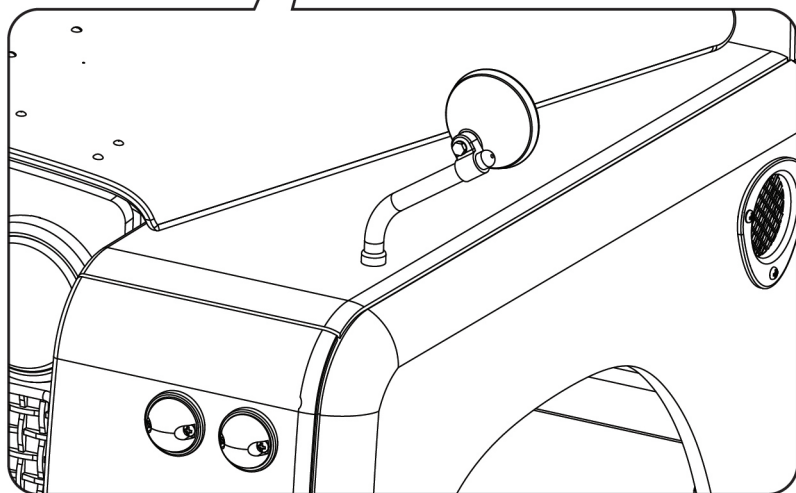
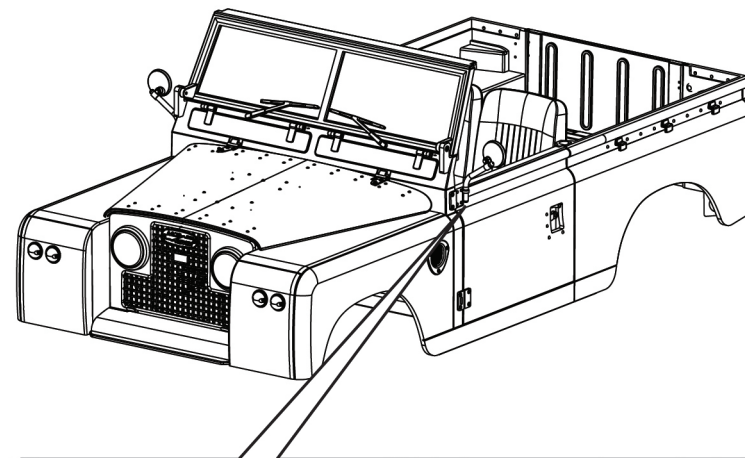
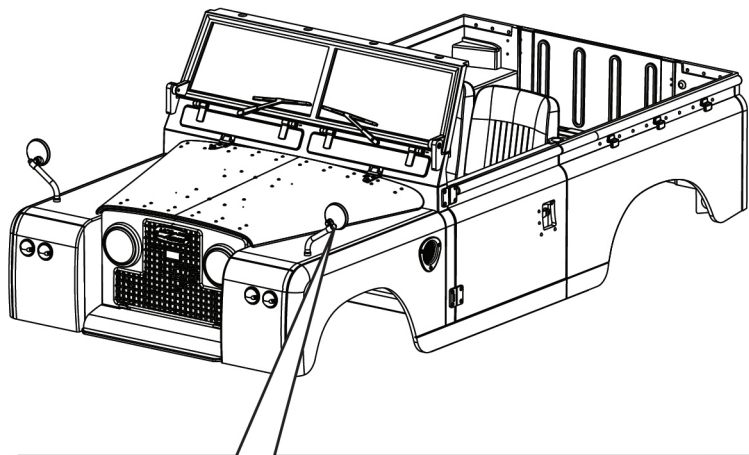
34 Use double-sided tape to attach the rear license plate onto the body below the license plate light.



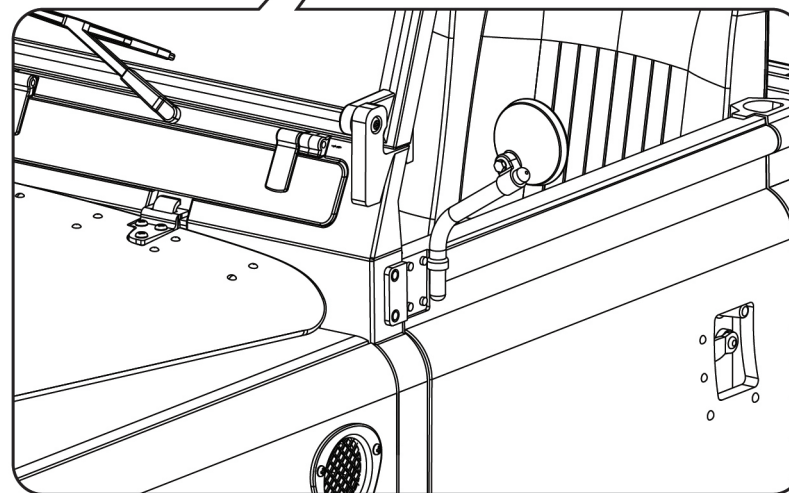
- 35** Use the door key and hook it onto the door to pull the door open.



PICK YOUR SIDE MIRROR LOCATION

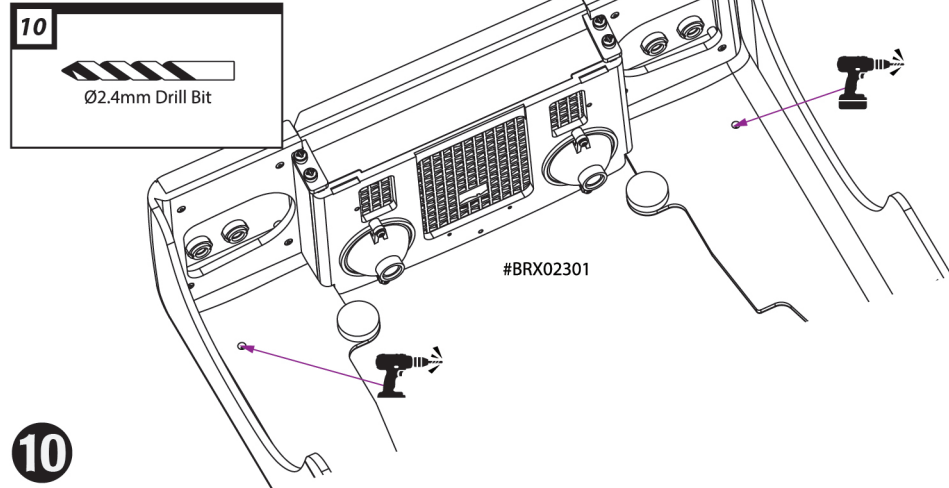


FENDER MIRRORS



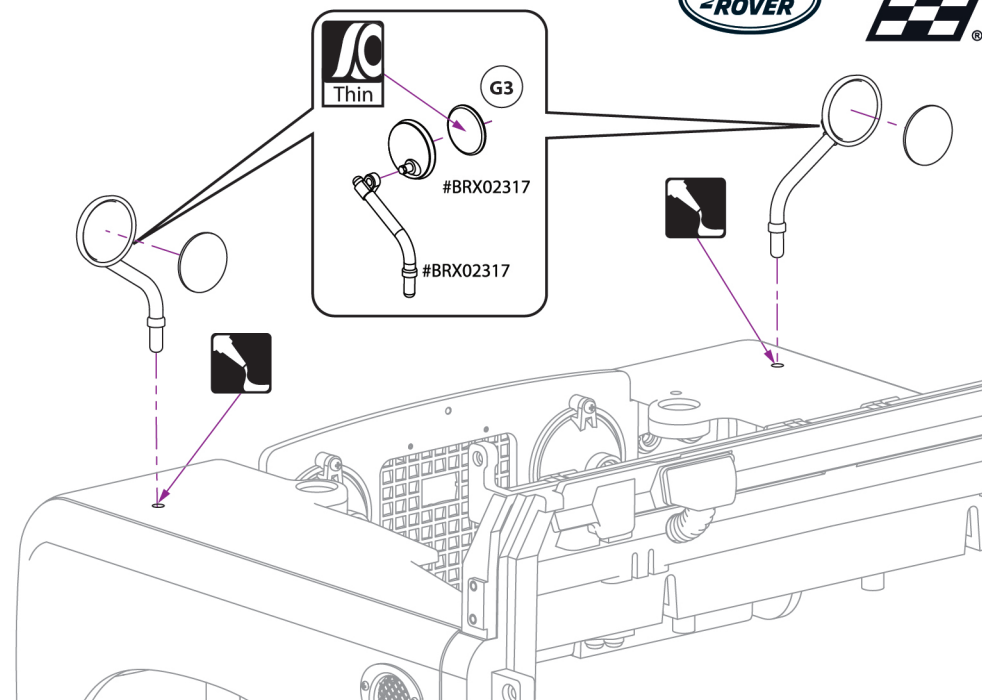
DOOR MIRRORS

FENDER MIRRORS

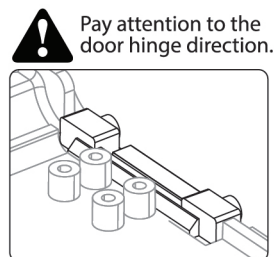


10

Drill two 2.4mm holes into the front main body from underneath as indicated. Use the provided double-sided tape (thin) to stick the mirror plate to the rubber mirror head and push the head into the mirror arm. Push the mirror arm into the holes that you just drilled. Then glue from the bottom into position. Repeat on the other side.



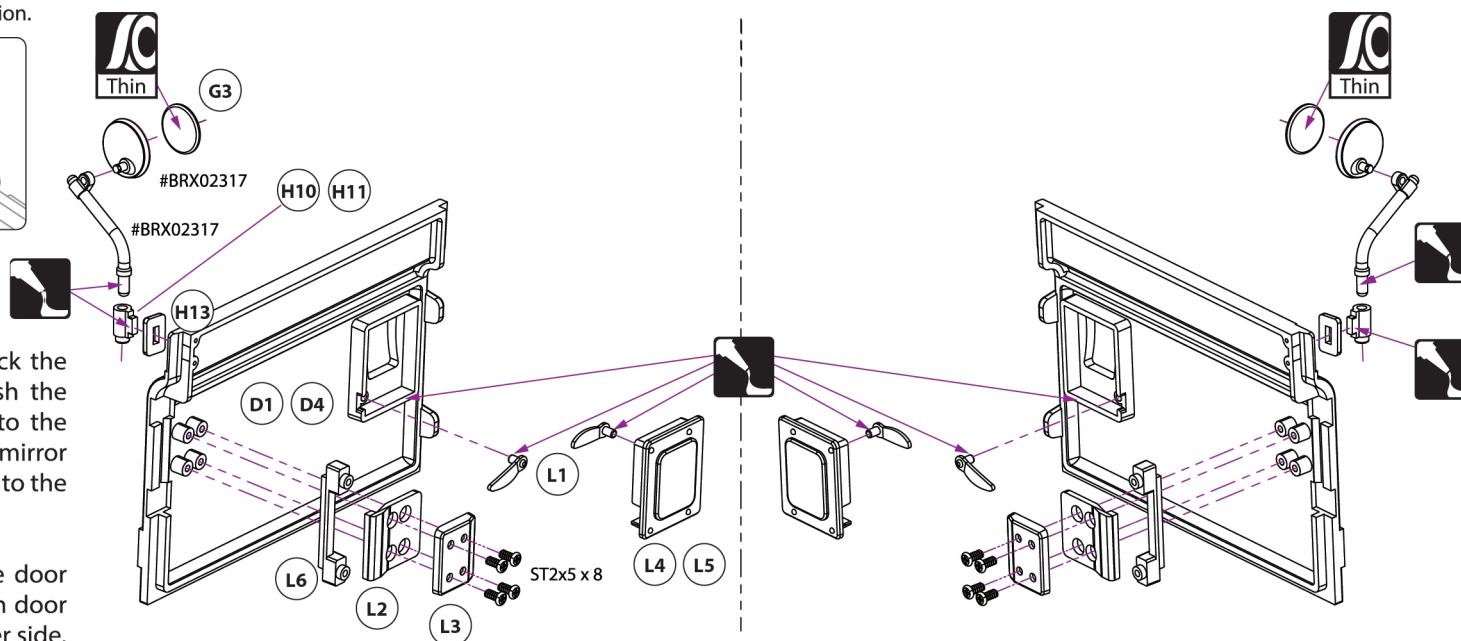
DOOR MIRRORS



10

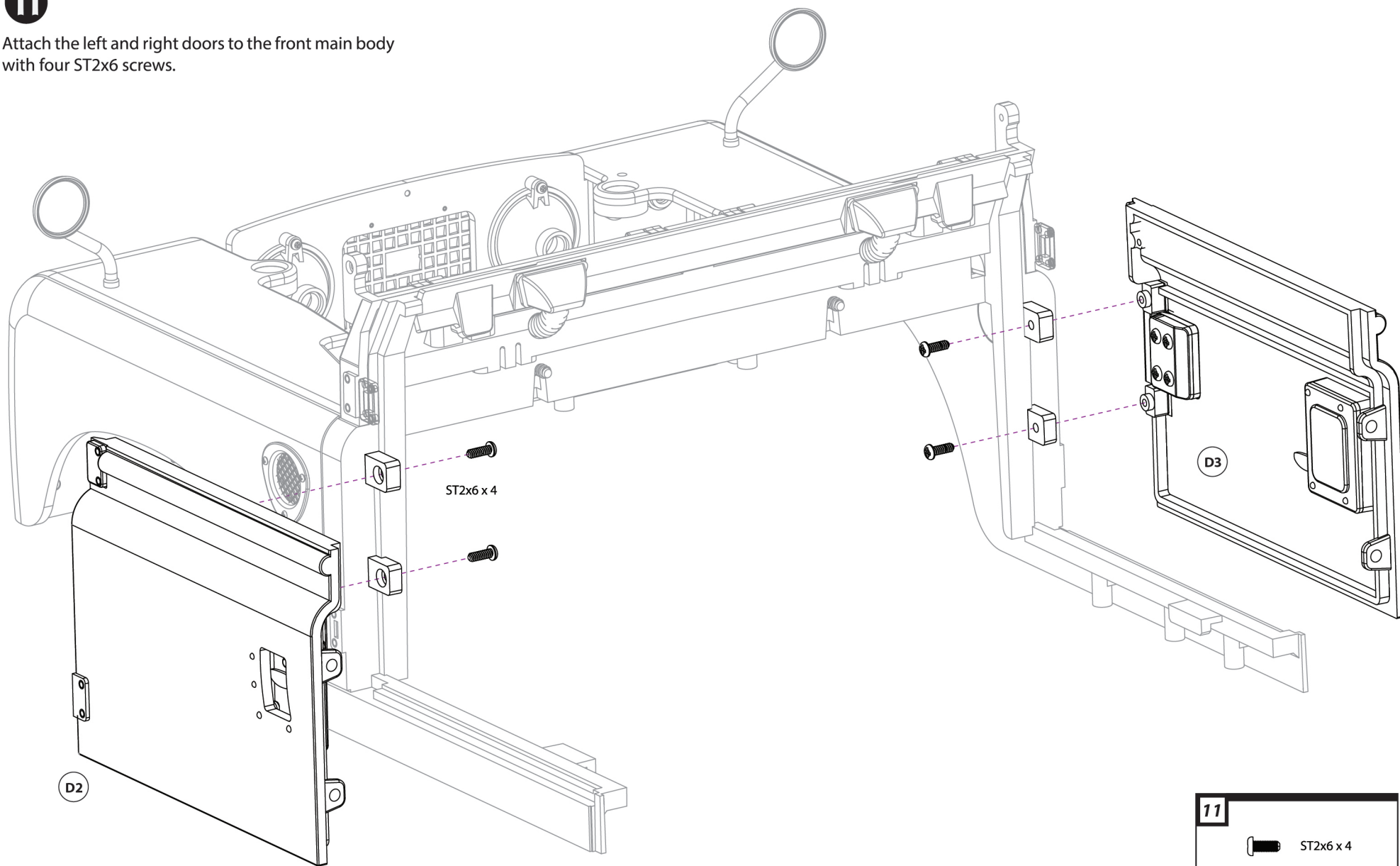
Use the provided double-sided tape (thin) to stick the mirror plate to the rubber mirror head and push the head into the mirror arm. Glue the mirror arm to the mirror arm holder. Next, glue the assembly to the mirror retaining plate, and then glue the whole assembly to the door. Repeat for the other side.

Insert the inner and outer door handles into the door and door lock plate and glue into position. Attach door hinge using four ST2x5 screws. Repeat on the other side.



11

Attach the left and right doors to the front main body with four ST2x6 screws.

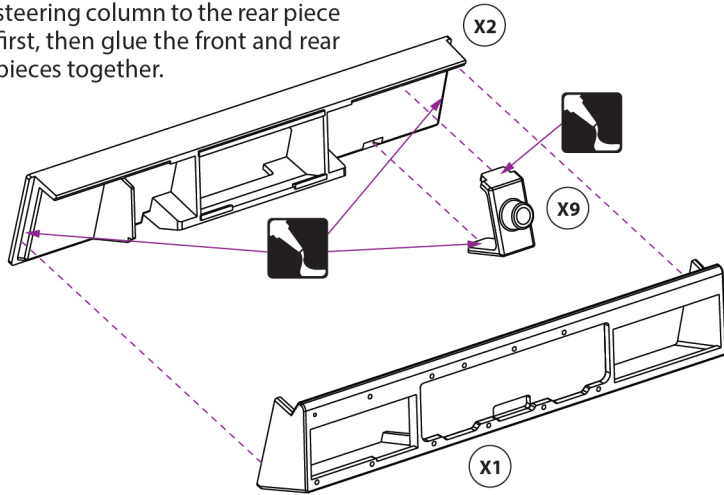


CONVERTIBLE

CONVERTIBLE

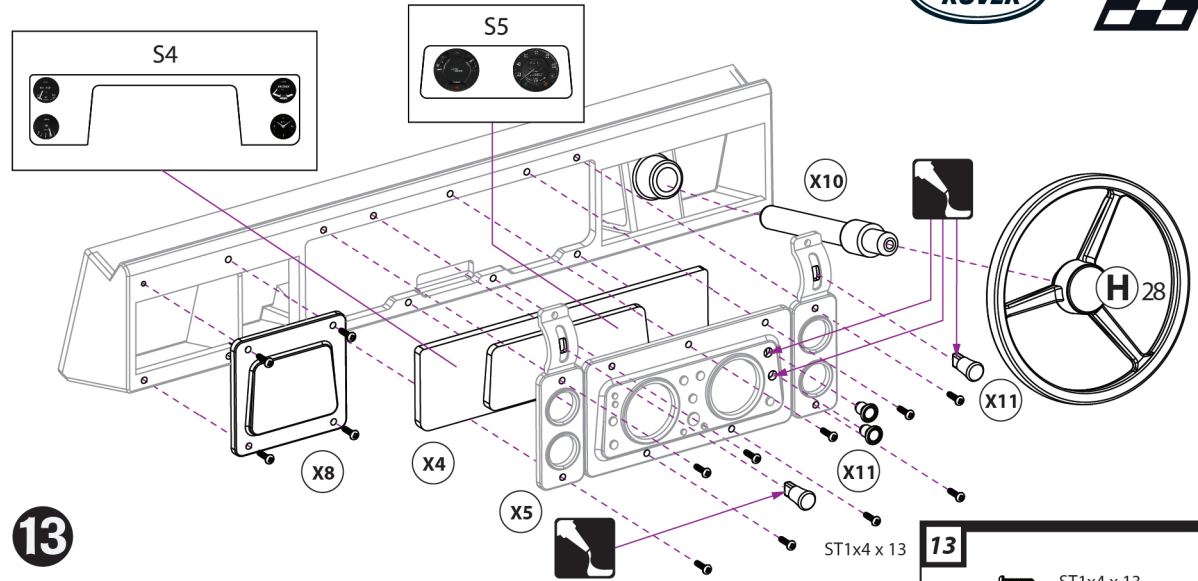
12

To build the dash panel, glue the steering column to the rear piece first, then glue the front and rear pieces together.



13

Attach the two decals to the instrument plate and place into the dash panel. Glue the four dash controls to the outer instrument panel and attach it to the dash panel with nine ST1x4 screws. Attach the side panel with four ST1x4 screws. Insert steering shaft into steering column and attach the steering wheel.

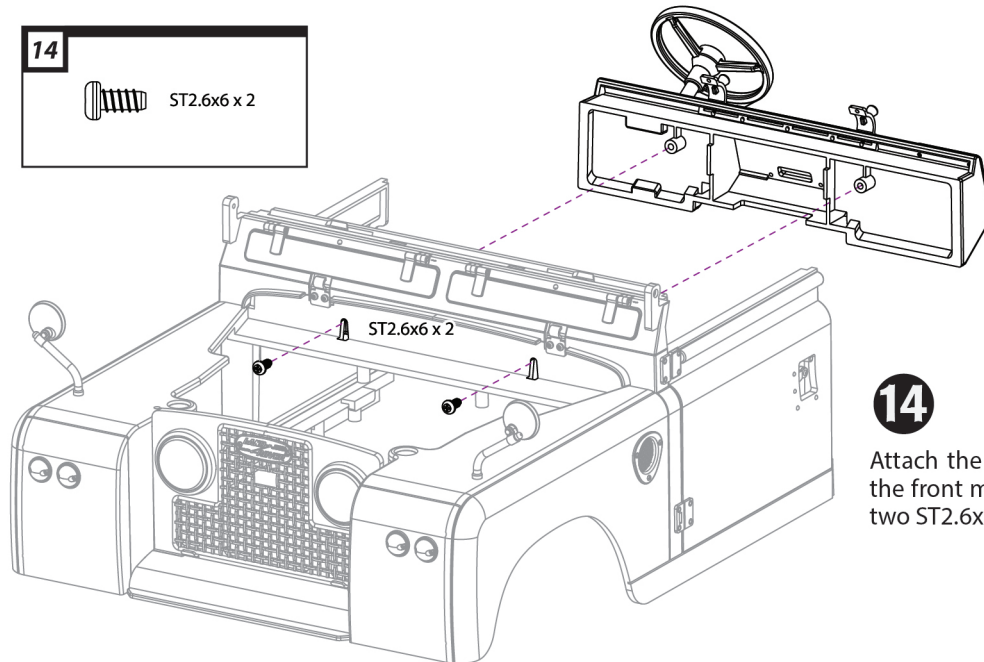


13

- ST1x4 x 13
- Decal Sticker

14

ST2.6x6 x 2



14

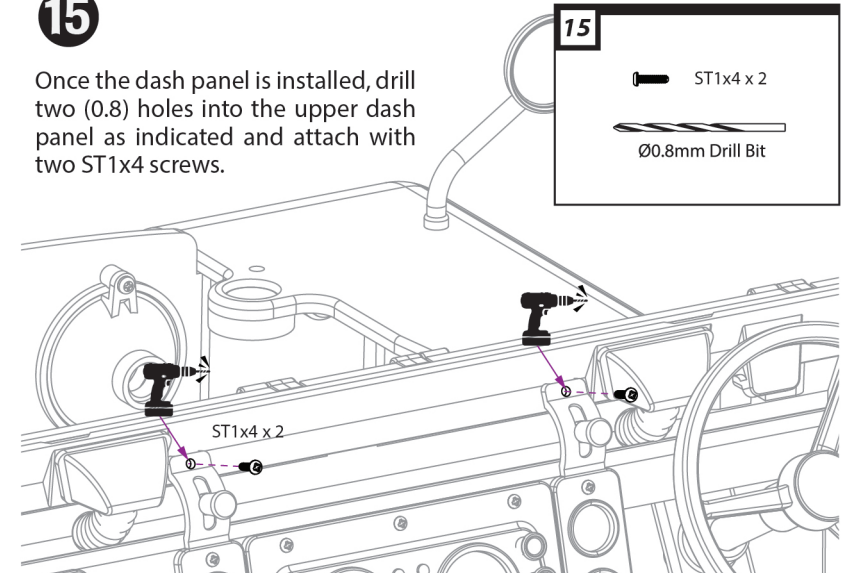
Attach the lower dash to the front main body with two ST2.6x6 screws.

15

Once the dash panel is installed, drill two (0.8) holes into the upper dash panel as indicated and attach with two ST1x4 screws.

15

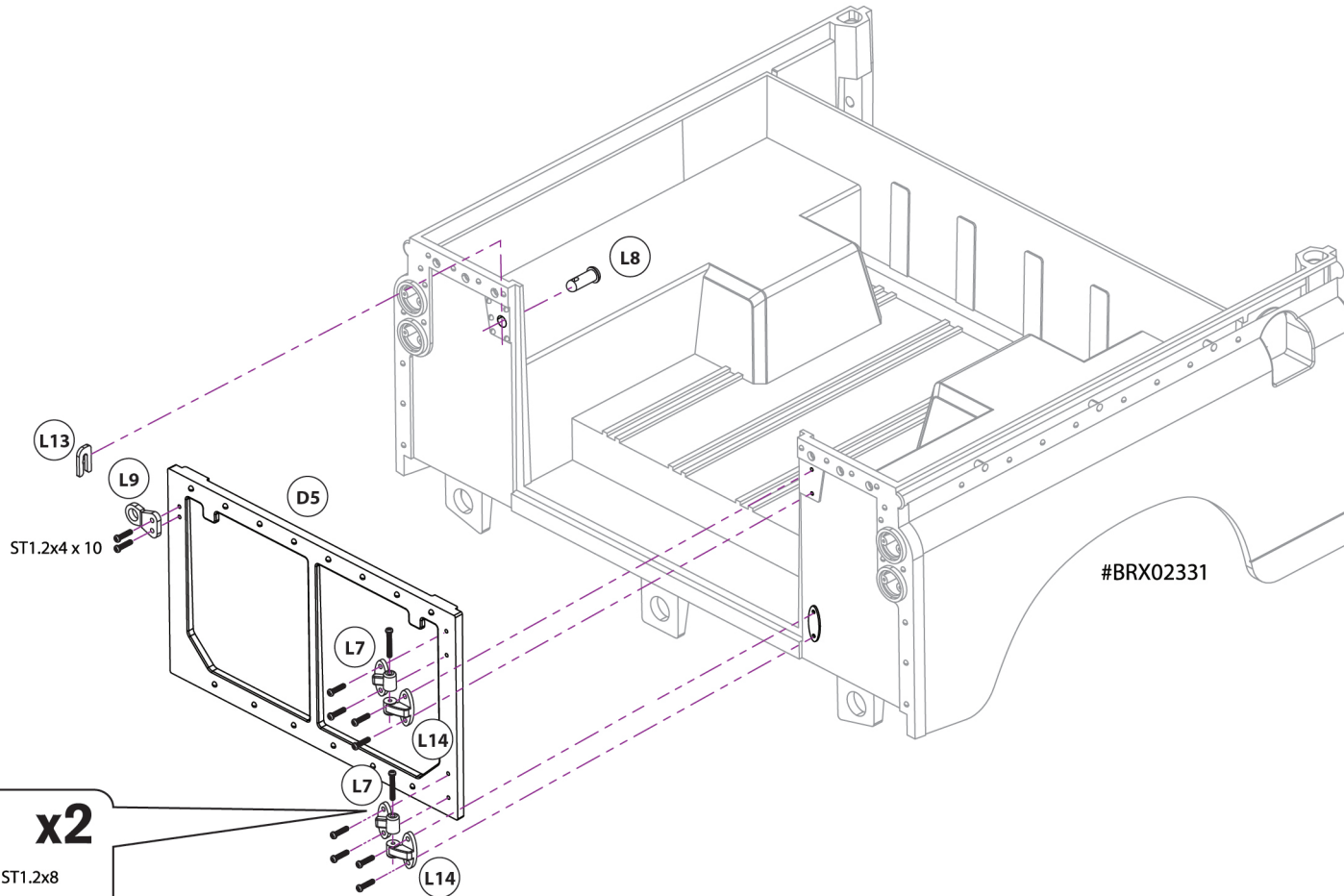
- ST1x4 x 2
- Ø0.8mm Drill Bit



16

ST1.2x8 x 2

ST1.2x4 x 10



16

Assemble two tailgate hinge assemblies using one ST1.2x8 screw each. Attach the tailgate latch and the two tailgate hinge assemblies to the tailgate using six ST1.2x4 screws.

Insert the tailgate latch pin into the provided hole on the bed.

Attach the tailgate to the bed using four ST1.2x4 screws. Insert the tailgate lock into the tailgate latch and pin to secure the tailgate.



17

ST1x6 x 4

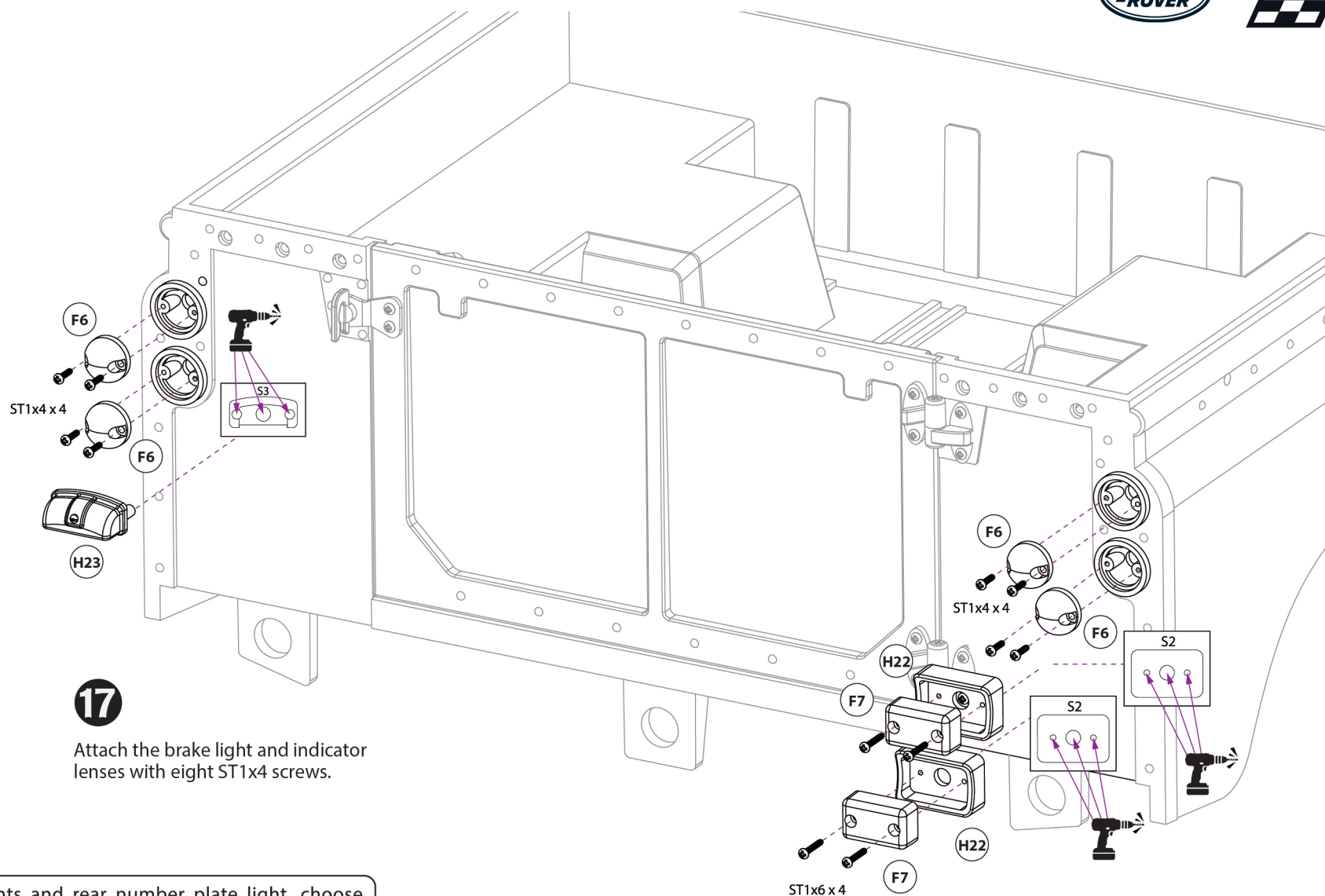
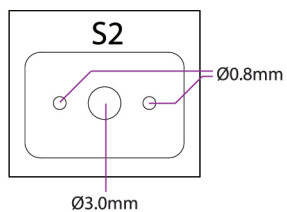
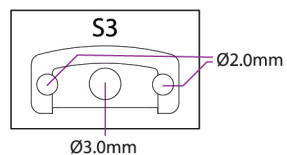
ST1x4 x 8

Decal Sticker

Ø0.8mm Drill Bit

Ø2.0mm Drill Bit

Ø3.0mm Drill Bit



17

Attach the brake light and indicator lenses with eight ST1x4 screws.

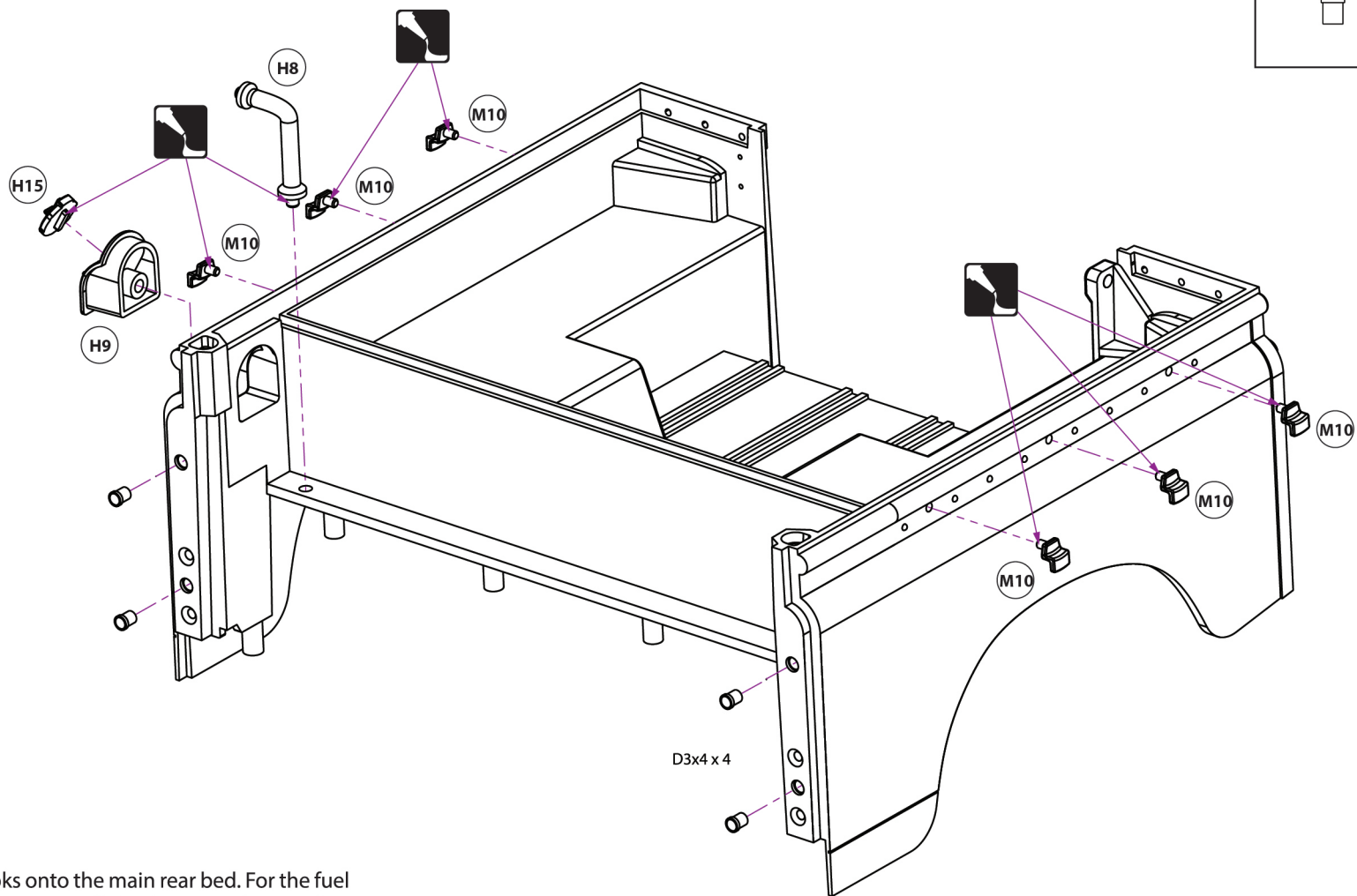


For the rear square lights and rear number plate light, choose where you would like to position them. Use the provided decal sticker to drill the holes for the lights, 3mm for LED / 0.8mm for screws, then remove the decal sticker. Next, attach the square lights with four ST1x6 screws. The number plate light you have to drill two 2.0mm holes and attached with a dab of glue. Every truck is different depending on region, so we leave that placement up to you.

18



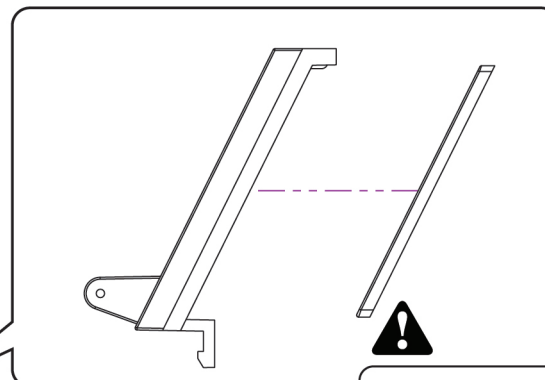
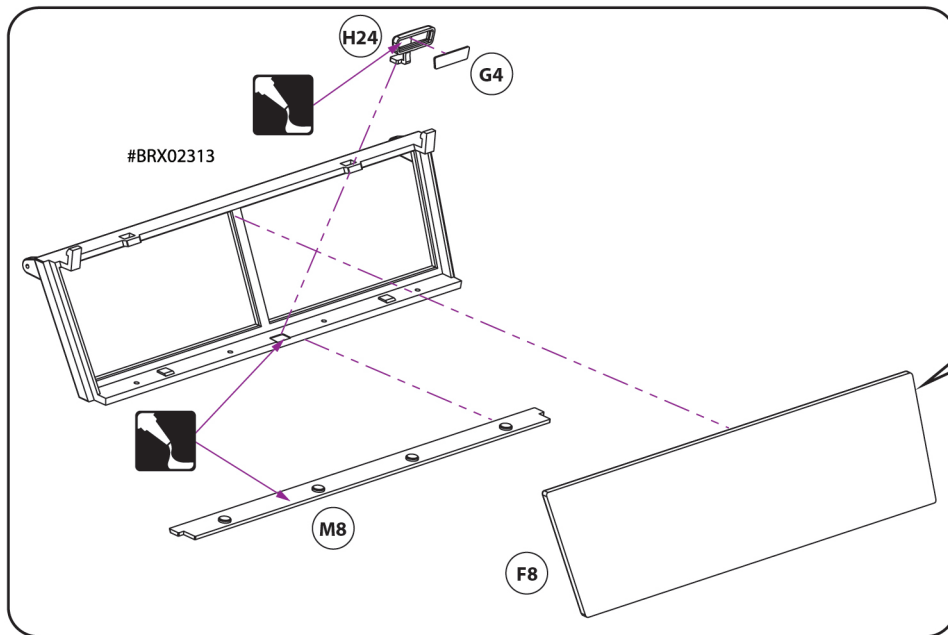
D3x4 x 4



18

Glue all six side rope hooks onto the main rear bed. For the fuel cap assembly, make sure you install the hose on the rear first before gluing the outer fuel cowl.

Insert four D3x4 spring plunger catches into the bed as indicated.



Pay attention to the windscreen direction.

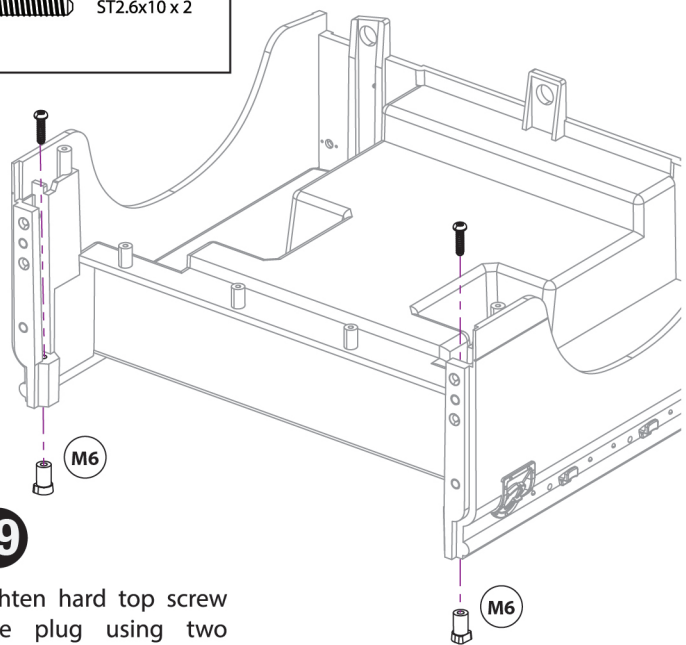
20

ST1.5x5 x 2

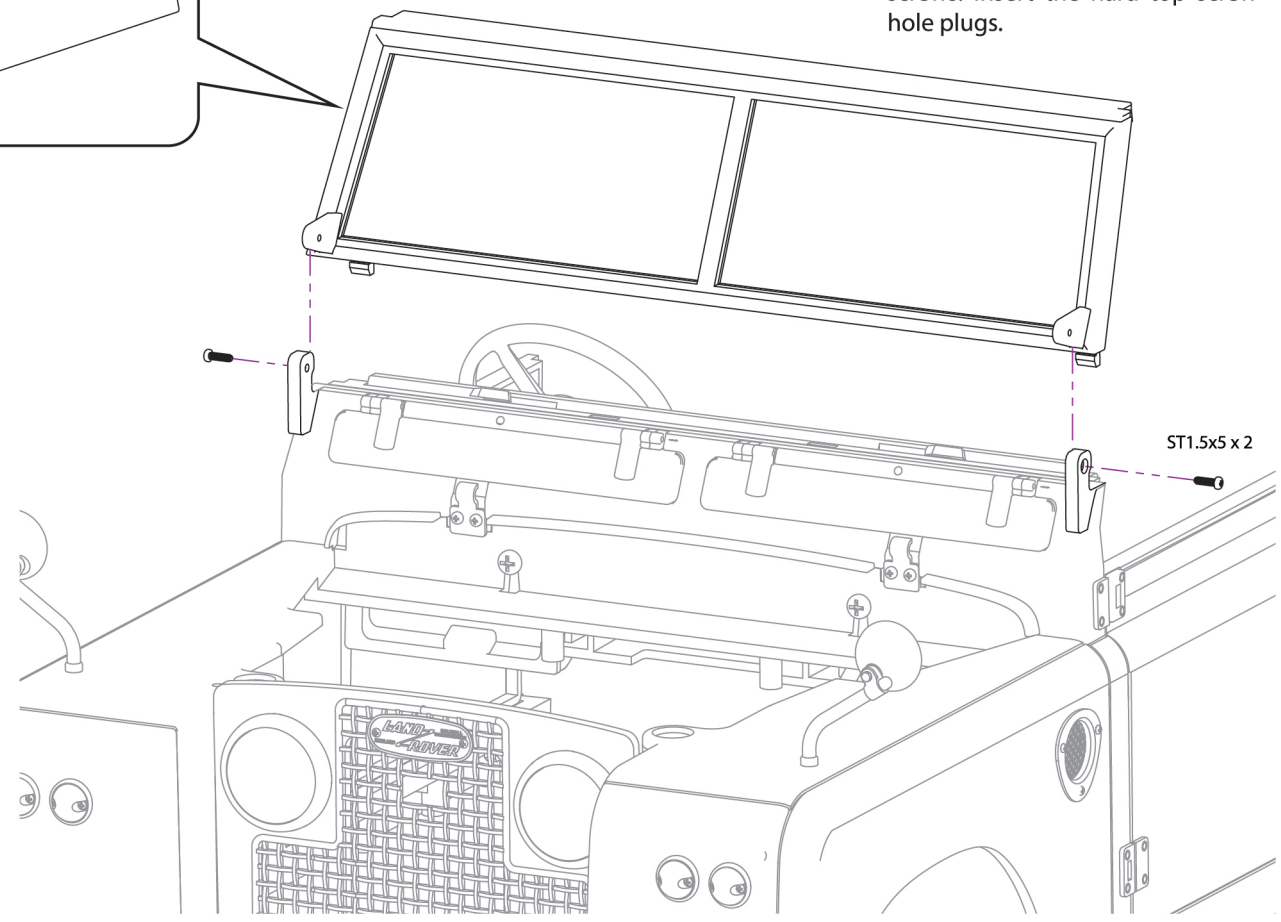
20 Clip the windscreen onto the windscreen frame and glue the interior mirror onto the windscreen frame. Attach the windscreen frame top with glue. Attach the windscreen frame to the vent panel hinge mounts with two ST1.5x5 screws. Insert the hard top screw hole plugs.

19

ST2.6x10 x 2

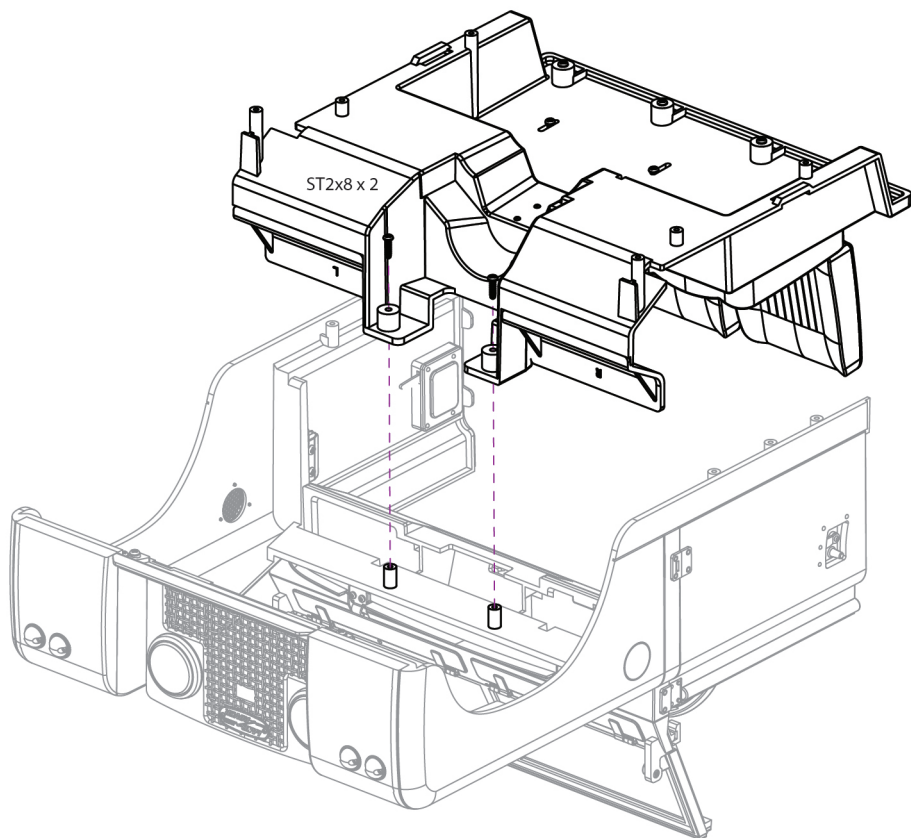


19 Tighten hard top screw hole plug using two ST2.6x10 screws.



21

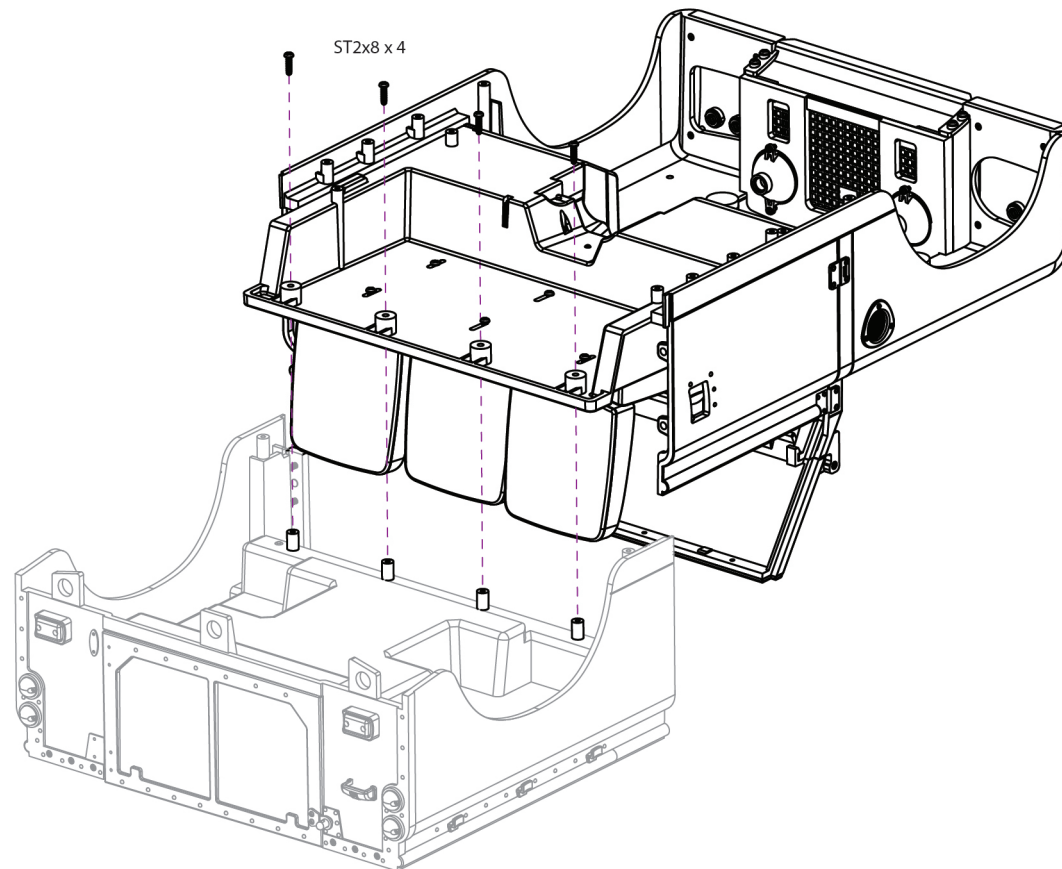
 ST2x8 x 2



21 Line up the front main body with the interior floor and attach using two ST2x8 Screws.

22

 ST2x8 x 4



22 Line up the rear bed to the front main body with the interior and attach using four ST2x8 screws.

CONVERTIBLE

CONVERTIBLE

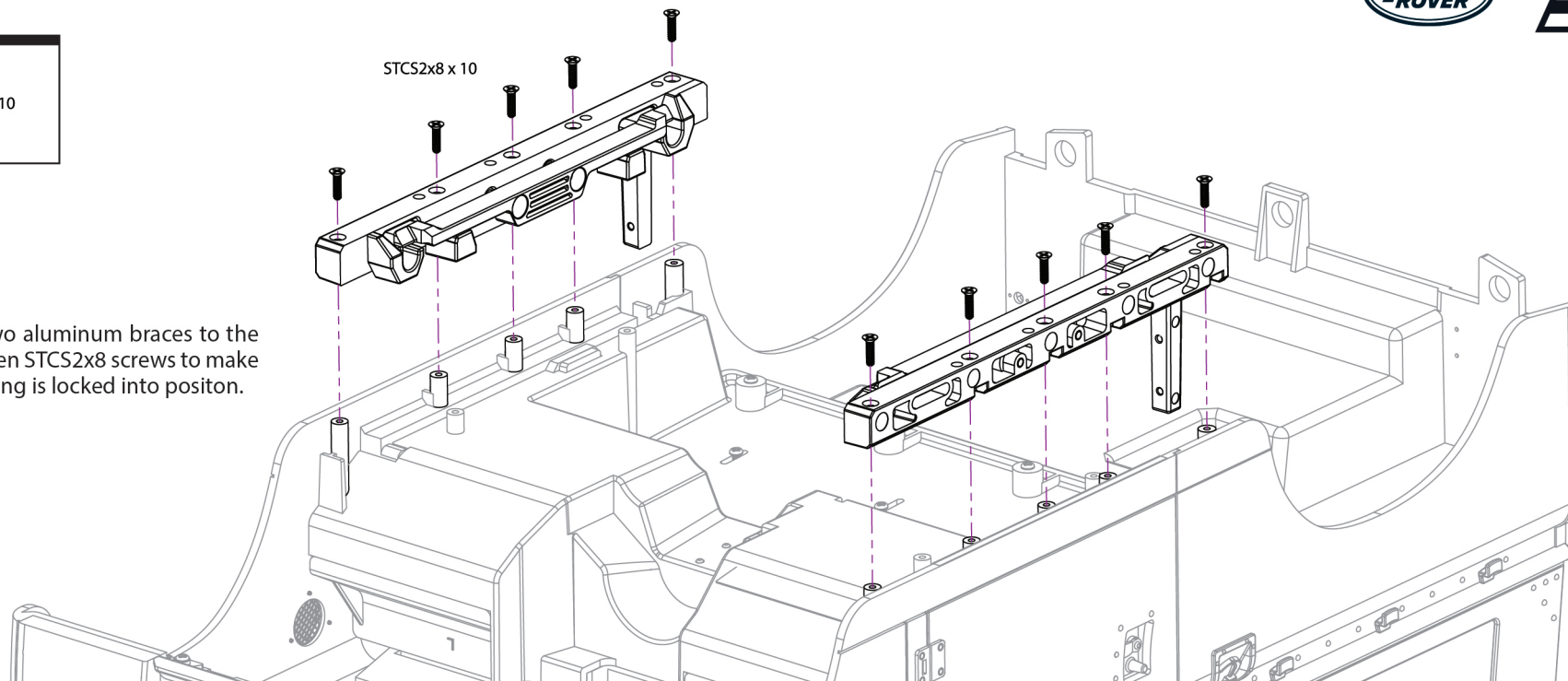


23

STCS2x8 x 10

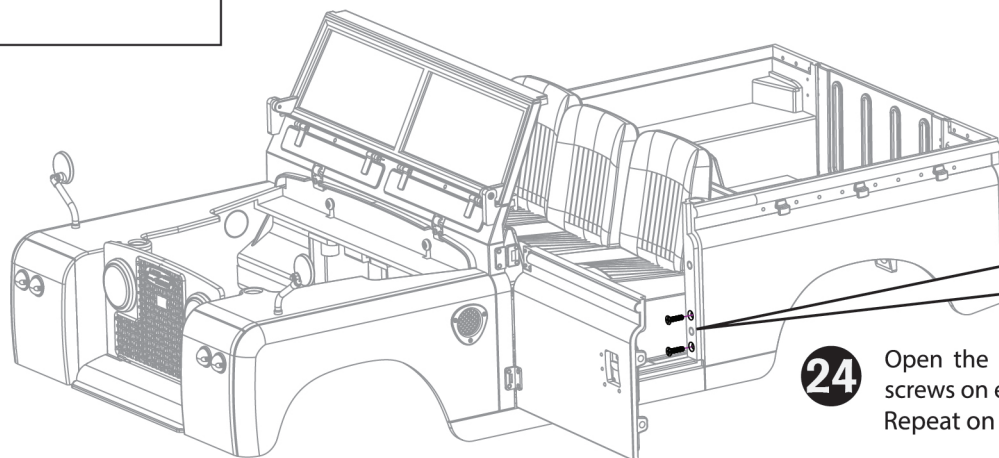
23

Install the two aluminum braces to the body using ten STCS2x8 screws to make sure everything is locked into position.



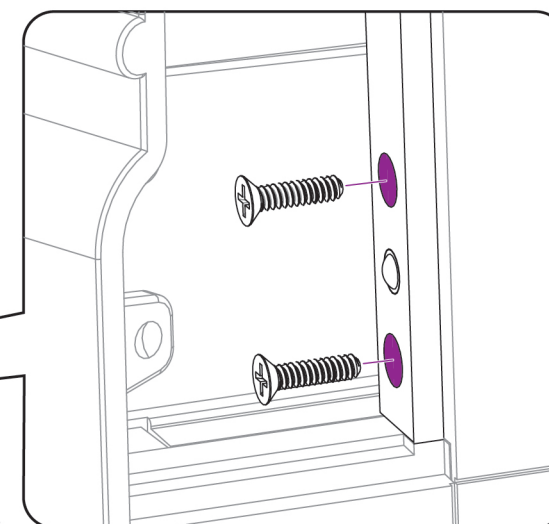
24

M2x8 x 4



24

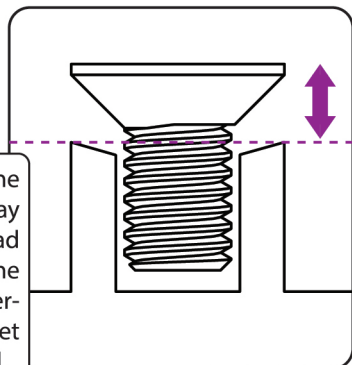
Open the doors and fasten two M2x8CS screws on each side into the aluminum brace. Repeat on other side.



Use the two STCS3x6 screws to adjust the height of the bonnet and how tight they latch to the magnet.



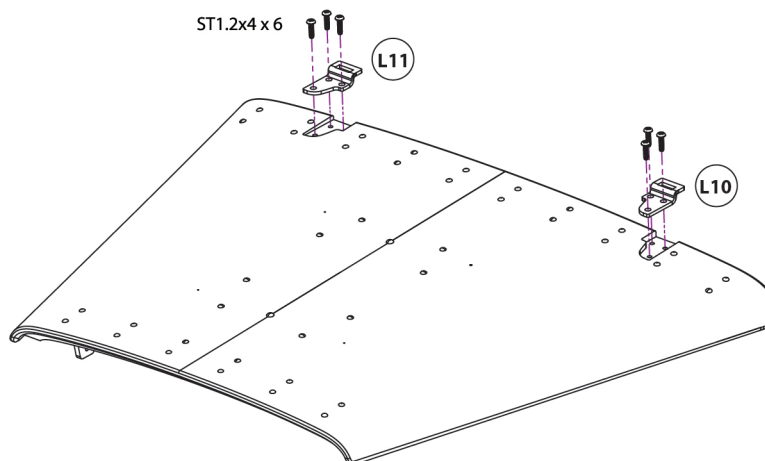
Do not tighten the screws all the way down. The head must not pass the dotted line, otherwise the bonnet can be damaged.



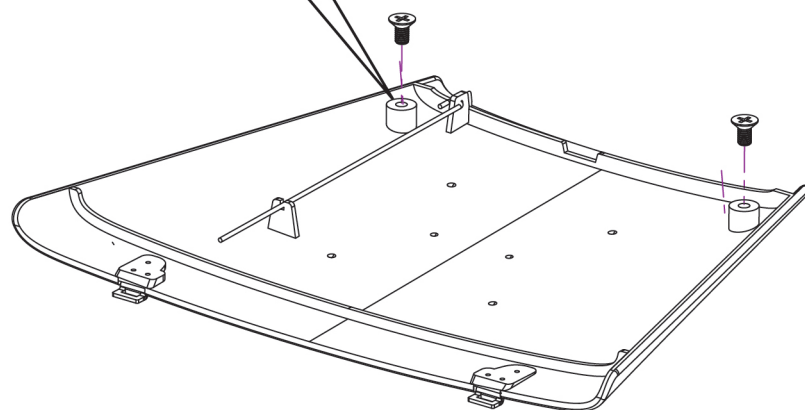
ST1.2x4 x 6

L11

L10

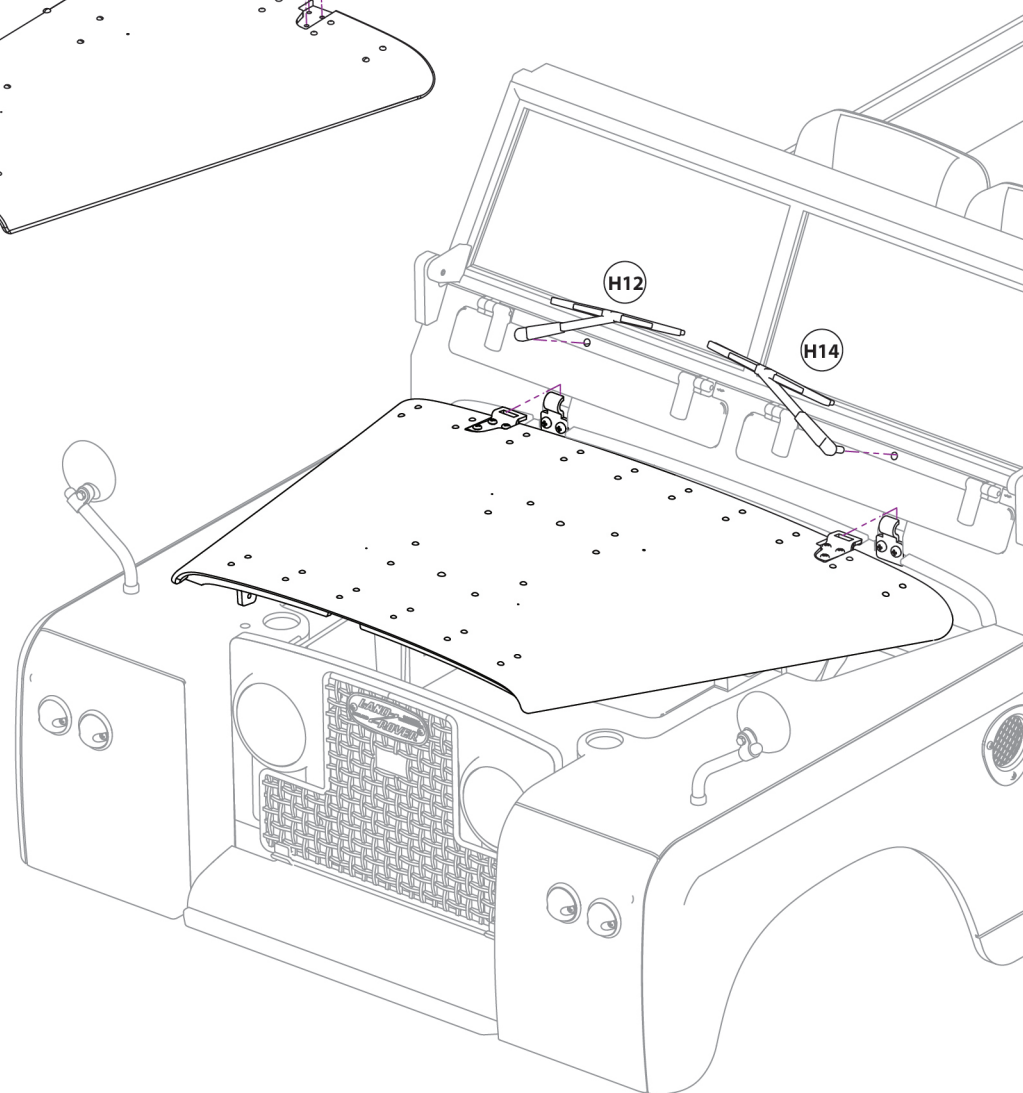


STCS3x6 x 2



H12

H14



25

 ST1.2x4 x 6

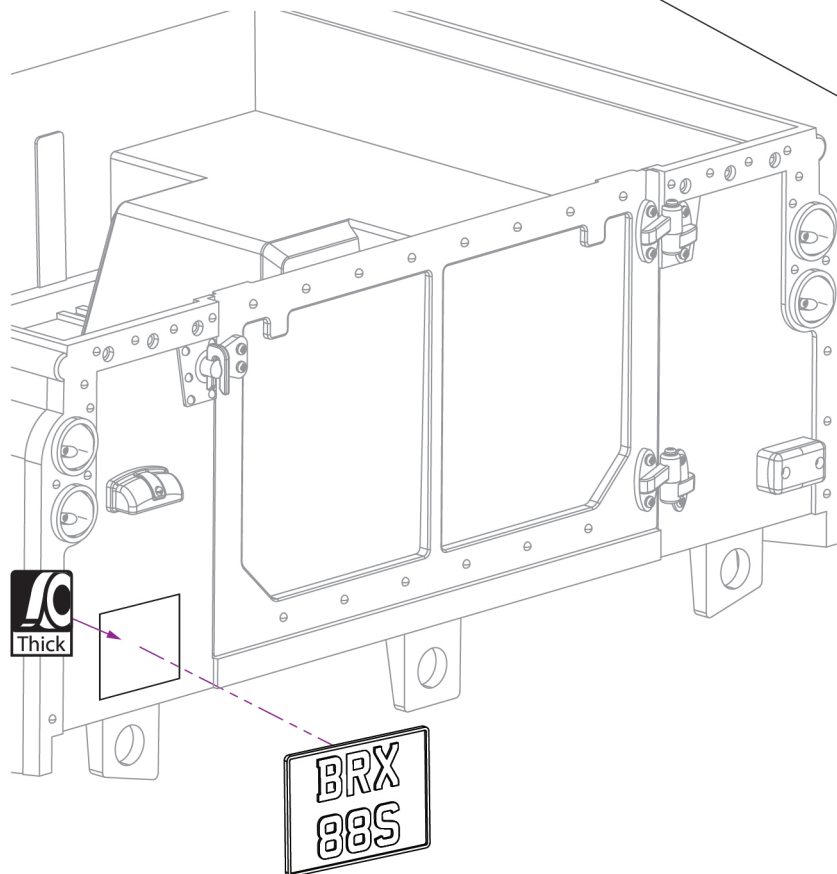
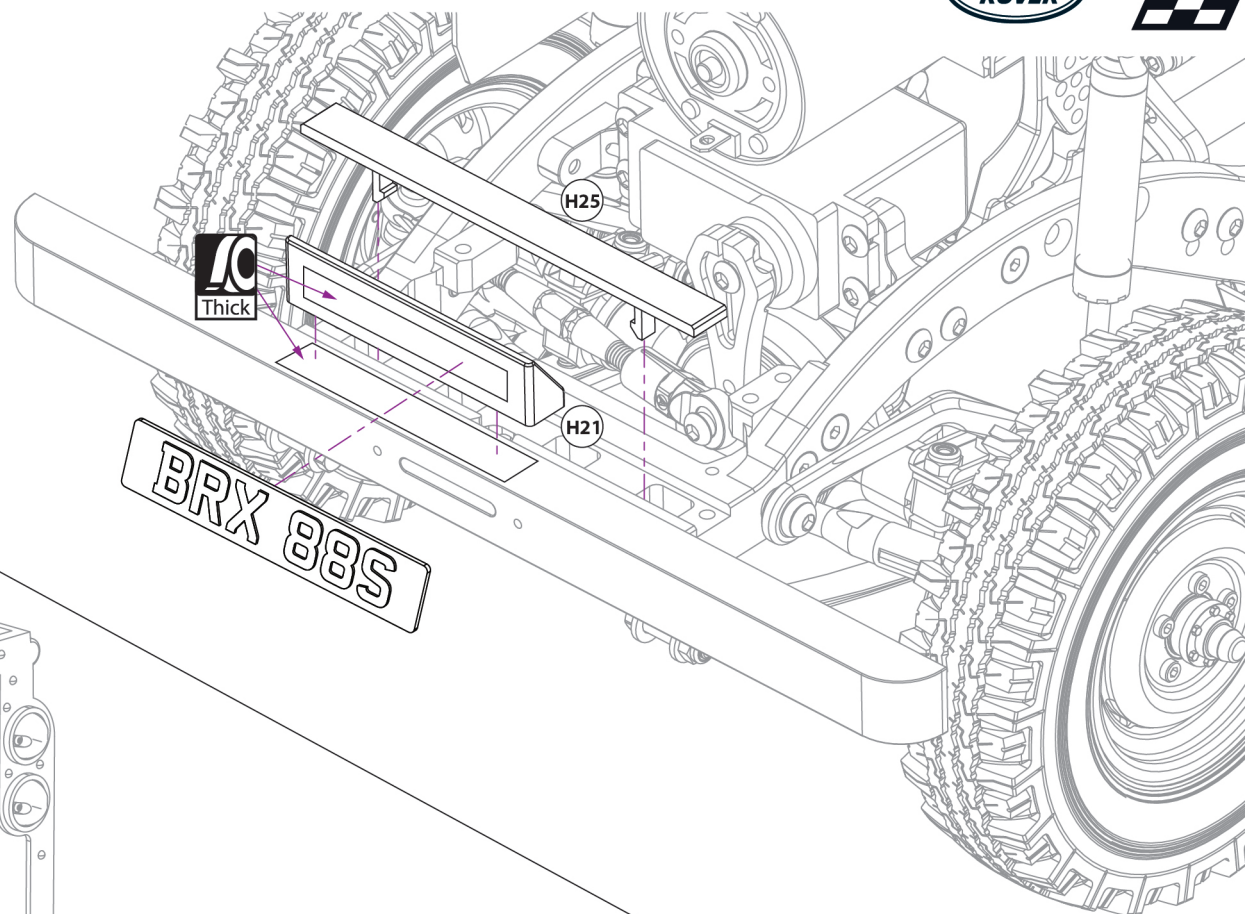
 STCS3x6 x 2

25

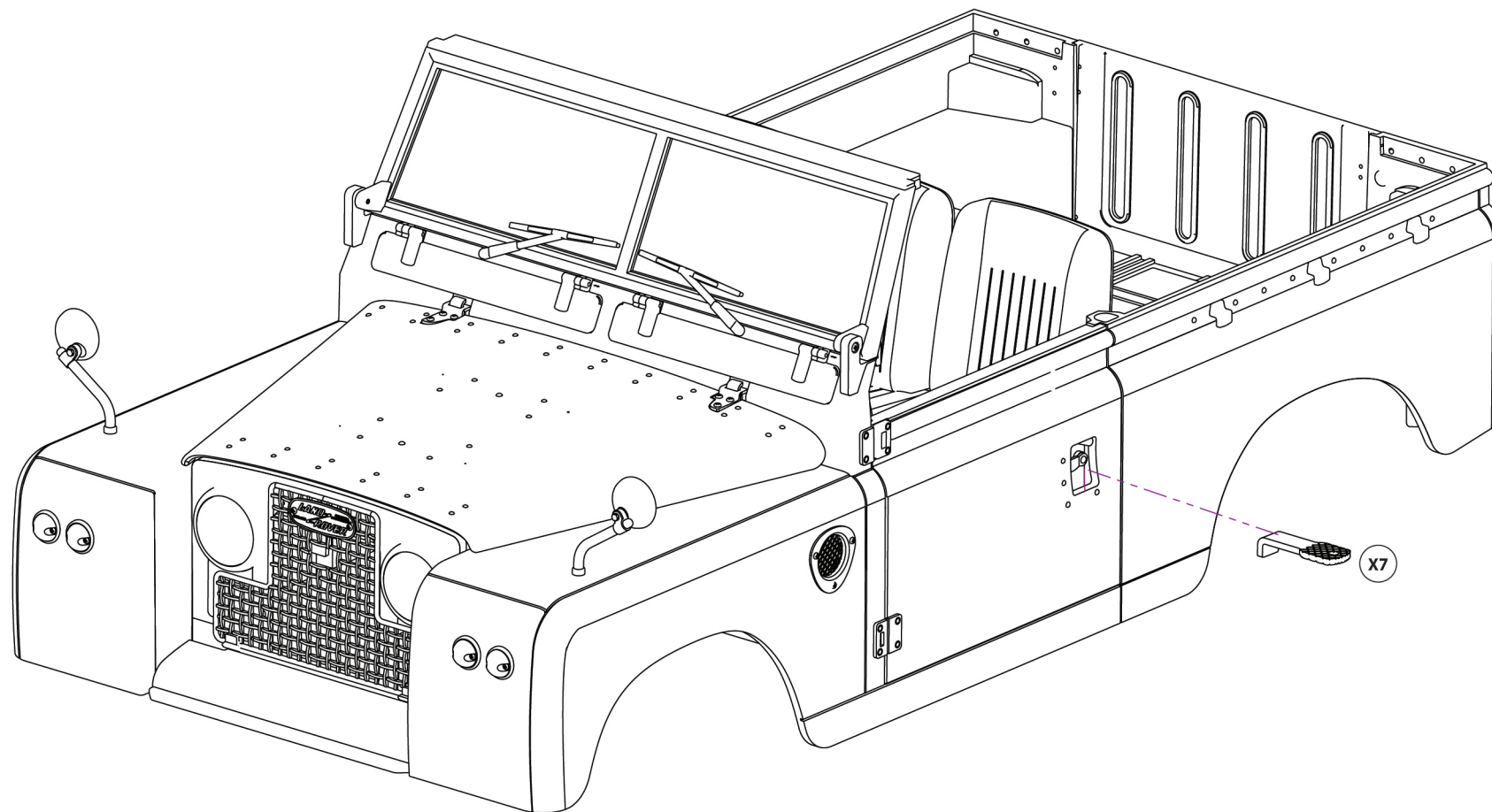
Attach the left and right bonnet hinge to the bonnet with six ST1.2x4 screws and two STCS3x6 screws into the bonnet and attach windscreen wipers.



- 26** Insert the blanking plate to the front chassis crossmember. It should snap into place. Use double-sided tape to attach the license plate to the license plate mount, and the mount to the bumper.



- 27** Use double-sided tape to attach the rear license plate onto the body below the license plate light.






28 Use the door key and hook it onto the door to pull the door open.



NOTES





-  @BOOM_RACING
-  BOOMRACINGRC
-  SALES@BOOMRACING.COM

WWW.BOOMRACING.COM

BOOMRACING  [®]
Your Radio Control Car Specialist



Land Rover and the Land Rover Logo are trademarks owned and licensed by Jaguar Land Rover Limited.