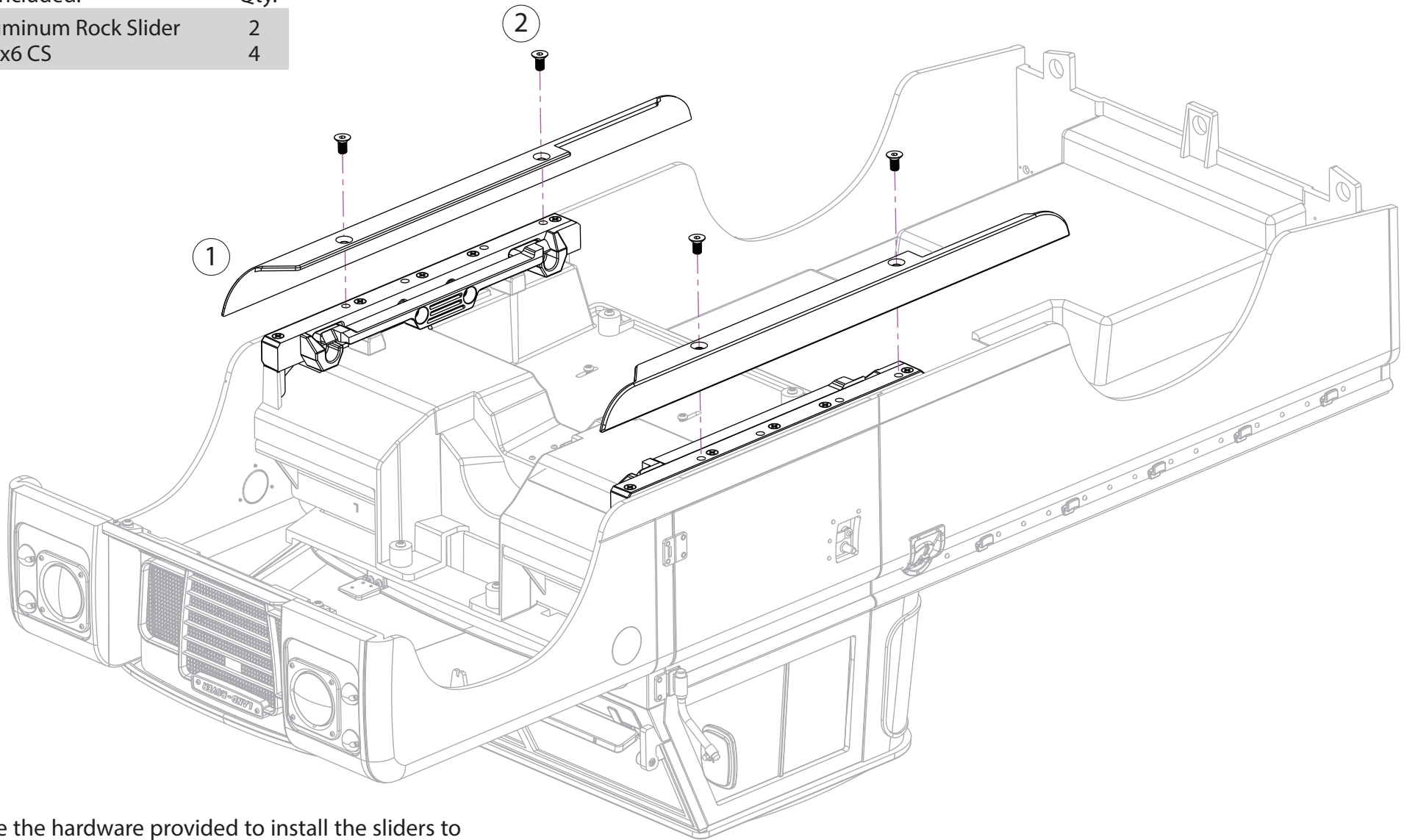


INSTALLATION MANUAL

Parts Included:	Qty.
(1) Aluminum Rock Slider	2
(2) M3x6 CS	4



Use the hardware provided to install the sliders to the quick release units as shown.